

SCF-250, SCF-260P, SCF-270D

CONFERENCE AND CONGRESS SYSTEM

INSTRUCTION MANUAL



FONESTAR

We take this opportunity to thank you for buying this product.

We recommend you read the instruction manual before switching on the machine and follow the instructions that are given. Keep the manual for future reference.

SECURITY AND THE ENVIRONMENT

ELECTRICAL SECURITY

Check that the current in the mains connection where the machine is to be installed corresponds to the power supply of the machine.

To avoid damaging the equipment, electrical shocks, fire or physical injury when you connect or disconnect the equipment from the power supply, pull the plug firmly out of the mains socket holding the plug, never the cable.

Always do this with dry hands.

Keep the power supply cable far from sources of heat. Do not put heavy objects on top of it or change it.

Clean dust and dirt off the power supply cable regularly.

Do not open the machine; you could get an electric shock.

CAUTION

While installing the machine, make sure it is switched off and unplugged.

Do not open the machine. Touching the internal parts is dangerous and you could receive an electric shock.

The machine must not be splashed or dripped on. Never place recipients with liquid inside on the machine.

Do not place anything inside the machine.

LOCATION

Place the equipment on a horizontal surface with enough space around it to allow ventilation.

Avoid direct sunlight, heat sources and excessive dust.

Do not place the machine near magnetic fields or static electricity.

Do not use surfaces which vibrate or receive impact.

Do not pile machines on top of one another.

VENTILATION

Never block or cover the ventilation slits on the machine.

Do not expose it to direct sunlight or place it near sources of heat.

PERIODS OF INACTIVITY

When the machine is not going to be used for a long period of time, disconnect it from the mains.

If you are using an adapter, take into account that it will continue using electricity even if the machine is switched off. If it is not going to be used for a long period of time, disconnect it from the mains.

THE ENVIRONMENT

To save energy, switch the machine off when you are not going to use it for a long time. The machine could contain substances that are harmful to the environment or human health. To minimize the effect of these substances the machine must be correctly managed and recycled when you decide to dispose of it.

When you dispose of it remember: it cannot be thrown into a conventional rubbish bin.

If it contains or uses batteries, these must be disposed of separately.

The machine (without batteries) must be disposed of correctly. Put it in a container specially intended for the collection of electronic and electrical appliances, at the dump or hand it over to the dealer when you purchase similar equipment, so that the dealer can dispose of it correctly (at no added cost).

SIGNIFICANCE OF THE SYMBOLS ON THE MACHINE*



The symbol formed by the expression “Class 1 laser product” written in a rectangle indicates that visible or invisible laser radiation could be produced. Avoid direct exposure to the laser.



The symbol formed by a ray of lightening inside a triangle shows that the machine has connection terminals or a circuit with areas with a current which could cause an electric shock, even in normal working conditions.



The symbol formed by an exclamation mark in a triangle shows that the instruction manual must be referred to for information on how the machine works and its use.



The symbol formed by one square inside another square shows that the machine has double electrical insulation.



The European Community symbol shows that the machine complies with the current European Union legislation, as well as its transposition to local legislation.



The symbol of a rubbish bin crossed out and over a horizontal line shows that when the product is disposed of it must be done properly, placing it in a special selective electronic and electrical equipment container or through a dealer when purchasing a similar product, at no additional cost. It also shows that the machine was put on the market after 13th August 2005 (European Community Directive 2002/96/CE of Electrical and Electronic recycling, and its Spanish equivalent R.D.208/2005).

In accordance with what is set out in the aforementioned decree, FONESTAR is registered in the RAEE (Registro de Aparatos Eléctricos y Electrónicos) in a special section REI (Registro de establecimientos Industriales), with the entry number 001851.

*It is possible that some of these symbols do not appear on the machine.

EXEMPTION OF LIABILITY

The characteristics of the equipment and the content of the manual can change without forewarning.

FONESTAR, S.A. does not assume responsibilities regarding the inappropriate use of the equipment or the information supplied in this instruction manual, and specifically disclaims any implied liability for marketability or fitness for any other use.

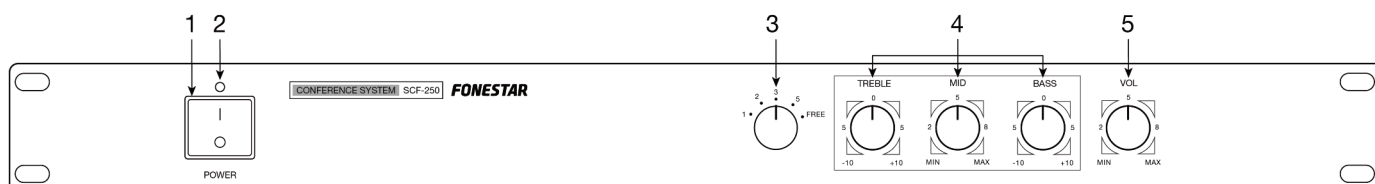
All rights reserved by **FONESTAR, S.A.**

DESCRIPTION

- This FONESTAR conference system is perfect for PA and communication in congresses, parliaments, councils, courthouses, administrative councils, seminars, round tables, debates and in general, wherever PA and communication are required among different people.
- It is a system with great sound quality with a low level of noise, allowing the connection of up to 64 microphones.

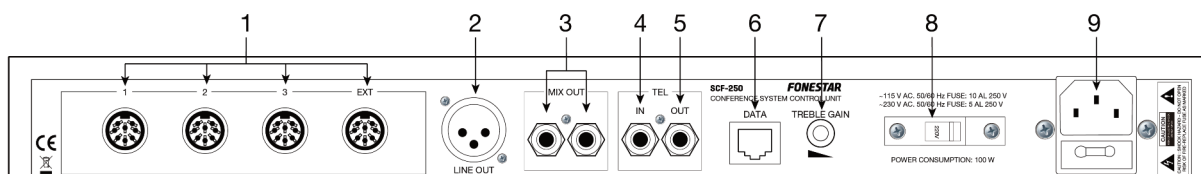
CONTROLS AND FUNCTIONS

CONTROL UNIT - FRONT PANEL



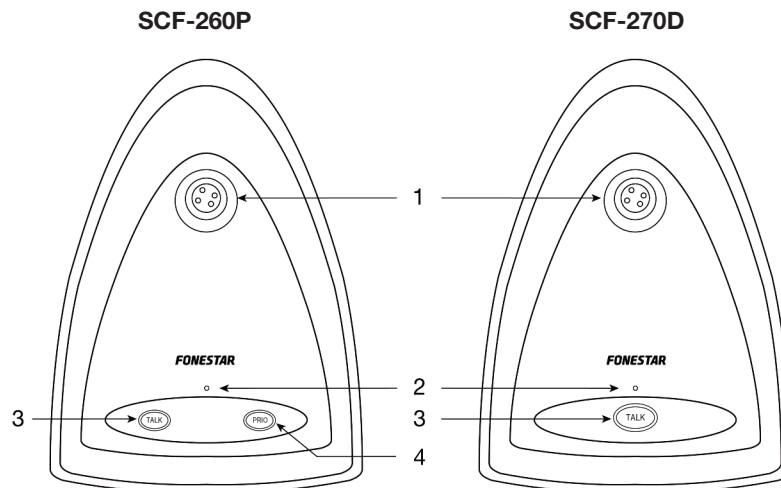
- 1.- **POWER:** control unit on/off switch.
- 2.- LED power indicator.
- 3.- Selector which allows control of the number of microphones in use in an installation. You can choose among 1, 2, 3, 5 or without limit.
- 4.- **TREBLE/MID/BASS:** treble, mid and bass controls.
- 5.- **VOL:** system general volume control.

REAR PANEL



- 1.- 4 input lines for president and delegate microphones. A maximum of 30 microphones can be connected in each line and up to 64 microphones in total.
- 2.- **LINE OUT:** line level output, XLR connector.
- 3.- **MIX OUT:** line level output, 2 x RCA connector.
- 4.- **TEL IN:** telephone switchboard extension input.
- 5.- **TEL OUT:** telephone switchboard extension output.
- 6.- **DATA:** function not available.
- 7.- **TREBLE GAIN:** control which reinforces or attenuates treble frequencies.
- 8.- Power supply voltage selector.
- 9.- Socket for AC mains supply connection.

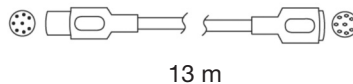
PRESIDENT MICROPHONE AND DELEGATE MICROPHONE



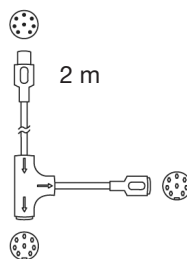
- 1.- Gooseneck microphone connector.
- 2.- Microphone LED indicator.
- 3.- **TALK**: press this button once to activate the microphone, a second time to deactivate it. While the microphone remains active, the speaker will be able to speak (LED ring and power indicator lit).
- 4.- **PRIO**: by pressing this button, all the delegate microphones are automatically closed giving priority to the president microphone.

INSTALLATION AND CONNECTION

- 1.- Prepare the control unit mod. **SCF-250**, the president microphones mod. **SCF-260P** and the delegate microphones mod. **SCF-270D** for their connection.
 - The control unit mod. **SCF-250** is supplied with a 13 m extension cable with male DIN 8 to female DIN 8 connectors for the interconnection of devices, a male XLR to a female XLR cable and 2 RCA to 6.3 mm mono jack cables for audio output and mains supply cable.



- The president microphones mod. **SCF-260P** and delegate microphones **SCF-270D** are supplied with a 2 m “Y” shaped interconnection cable with male DIN 8 connector for connection to the control unit’s interconnection cable or the previous microphone and the 2 female DIN 8 connectors for connection to the microphone and extending the line to the next microphone.

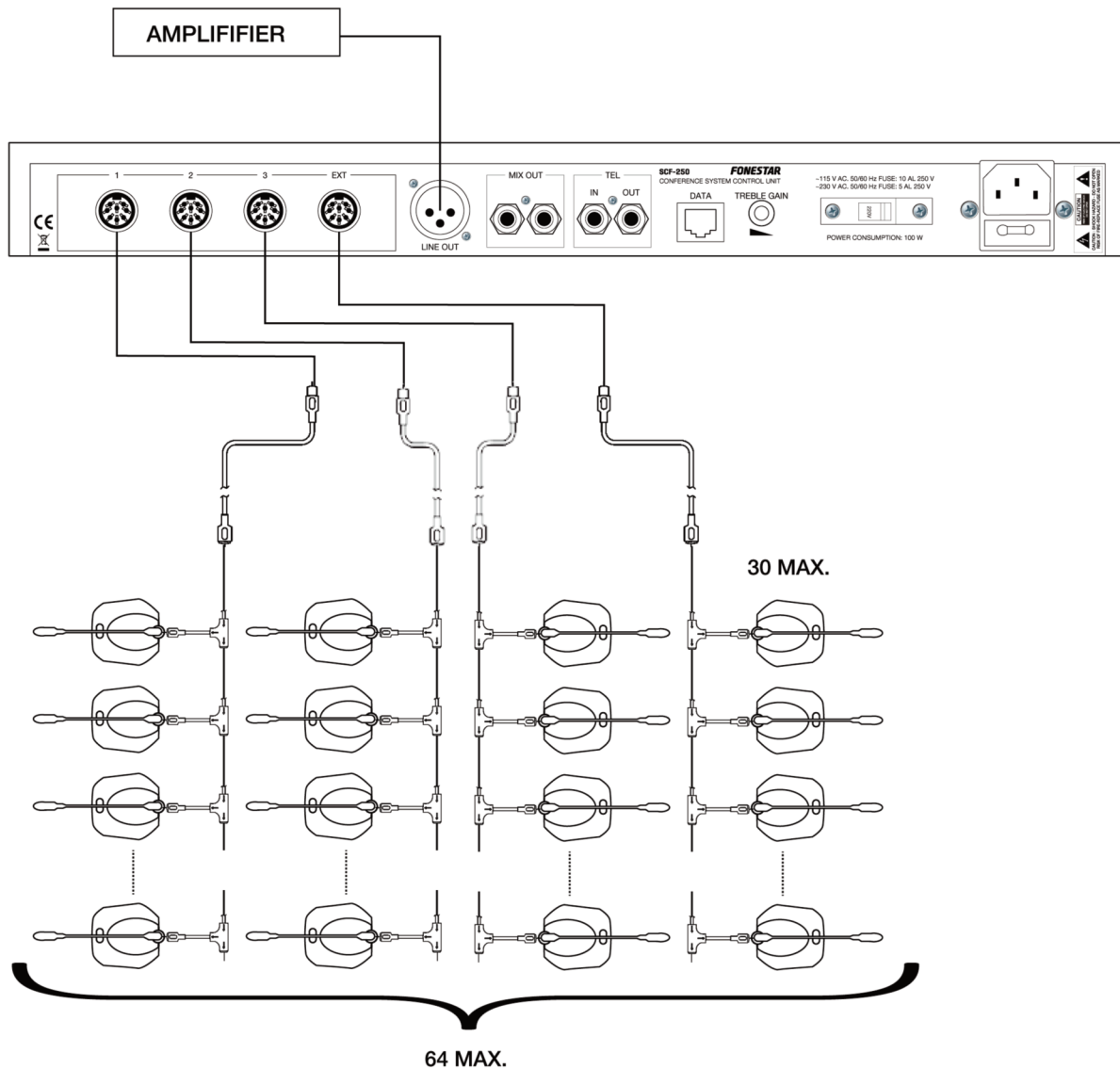


- 2.- Connect the extension cable to one of the 4 sockets in the control unit group. Up to 30 microphones maximum can be connected in each of the 4 lines. Connect the other end of the extension cable to a microphone’s “Y” interconnection. One of the branches of the “Y” connection cable must be connected to the microphone, while the other branch allows the line to be extended until the next microphone.

As many microphones as you wish can be connected (up to a maximum of 30 per group, in total a maximum of 64 units in the whole installation)

NOTE: if your conference system is composed of more than 30 microphones, it is recommended that the male DIN 8 terminal connector is used. Connect it in the last “Y” cable in the longest branch.

- 3.- If you wish, connect some of the line level outputs LINE OUT or MIX OUT to the input of an amplifier. Similarly, a recording device can be connected to the MIX OUT output.
- 4.- Connect the control unit to the 230 V AC mains supply and switch on the device using the switch.
- 5.- To speak into a microphone, press the activation button. When you finish speaking, deactivate the microphone by pressing the activation button again. If the microphone is active, the LED indicator and ring will light up.
- 6.- The President microphone can deactivate the delegate microphones at any time by pressing the priority button PRIO.



TECHNICAL SPECIFICATIONS

	SCF-250
CHARACTERISTICS	System power supply control unit. Telephone connection input. Allows connection of up to 64 microphones. Maximum number of microphones operating selector.
RESPONSE	20-18,000 Hz
CONTROLS	General volume Bass, mid and treble control Number of microphones operating selector
INDICATORS	On/off
INPUTS	1 telephone switchboard extension, RCA 4 groups of microphones, female DIN 8 for system interconnection
OUTPUTS	1 extension, DIN 8 1 line, XLR and 2 x RCA 1 telephone switchboard extension, RCA
POWER SUPPLY	230/115 V AC, 100 W
DIMENSIONS	482 x 44 x 353 mm depth. 1 U 19" rack
ACCESSORIES	1 x 13 m extension cable to interconnect male DIN 8 and female DIN 8 microphones (Please ENQUIRE for other lengths) 2 x 1.6 m audio cables, RCA to 6.3 mm mono jack 1 x 2 m audio cable XLR 1 male DIN 8 terminal connector

	SCF-260P
CHARACTERISTICS	President microphone with speech priority and possibility of cancelling delegate microphones. Metal microphone base.
MICROPHONE	Unidirectional electret condenser
RESPONSE	20-18,000 Hz
CONTROLS	Push-to-talk button Priority over delegate microphones
INDICATORS	LED ring and power indicator
INPUTS	Power supply and audio, 1 x 1.1 male DIN 8 interconnection cable
OUTPUTS	Audio, interconnection cable
POWER SUPPLY	18 V DC, supplied by control unit
DIMENSIONS	Gooseneck microphone: 390 mm height Base: 115 x 45 x 160 mm depth
ACCESSORIES	1 x 2 m Y interconnection cable, male DIN 8 to 2 female DIN 8 Foam windshield

	SCF-270D
CHARACTERISTICS	Delegate microphone. Metal microphone base.
MICROPHONE	Unidirectional electret condenser
RESPONSE	20-18,000 Hz
CONTROLS	Push-to-talk button
INDICATORS	LED ring and power indicator
INPUTS	Power supply and audio, 1.1 m male DIN 8 interconnection cable
OUTPUTS	Audio, interconnection cable
POWER SUPPLY	18 V DC, supplied by the control unit
DIMENSIONS	Gooseneck microphone: 390 mm height Base: 115 x 45 x 160 mm depth
ACCESSORIES	1 x 2 m Y interconnection cable, male DIN 8 to female 2 DIN 8 Foam windshield

WARRANTY

This product has been tested and has passed the corresponding quality control prior to being put on the market.

FONESTAR guarantees the suitability of the product for its specified use during a period of 2 years from the delivery date and commits itself to repair or substitute the goods as expressed in the Spanish law 'La Ley General para la Defensa de los Consumidores y Usuarios, Real Decreto Legislativo 1/2007 16 Noviembre.

The lack of conformity in the first six months after purchase, due to a manufacturing defect, will be rectified with no more than showing the proof of purchase. After six months **FONESTAR** reserves the right to demand proof of the product being sold with that problem.

This warranty does not include damage produced by: inappropriate use or negligence, accidents, worn out parts due to use, breakages, burns, spilt liquids or other substances, excessive humidity, battery deterioration and internal manipulation of the device, the software or its components by unauthorized persons, and in general any use that is unrelated to the nature and purpose of the product.

If any service is needed during the warranty period because of lack of conformity, please contact the business or distributor where the product was purchased in no more than 2 months after being conscious of the problem. It is only necessary to contact **FONESTAR** if it is impossible or imposes an undue burden for them to solve it.

To benefit from this warranty it is necessary to show the proof of purchase with the date clearly visible, with no corrections or crossing out.

This document adds information, and never decreases the consumers' rights, which in all cases are protected by the Spanish law 'La Ley General para la Defensa de los Consumidores y Usuarios, Real Decreto Legislativo 1/2007 16 Noviembre.



® **FONESTAR** is a member of ECOEMBALAJES ESPAÑA, S.A. "ECOEMBES", with number 03497 and all our products carry the symbol, backed by our membership and subscription to the above mentioned organization with the recycling and subsequent management of our packaging.

FONESTAR S.A. - NIF A28780443 - Poligono Trascueto - 39600 Revilla de Camargo, Cantabria (Spain)

www.fonestar.com