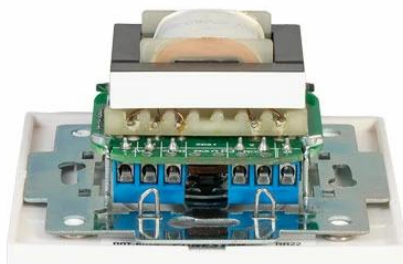


PUBLIC ADDRESS / ATTENUATORS / 100 V LINE

DOT-60TR

100 V LINE ATTENUATOR



- ✓ 100 V line
- ✓ Priority by 3 or 4 wires with relay
- ✓ For universal standard case
- ✓ 10 position ergonomic potentiometer with switch off
- ✓ Minimalist aesthetic

ESPECIALLY RECOMMENDED IN:



All sectors



+ Info:
<https://fonestar.com/DOT-60TR>

DESCRIPTION

100 V line attenuator with 3-wire or 4-wire priority with relay for flush or surface mounting.

Minimalist aesthetics, with FONESTAR's own design, taking into account the needs of the market to make them go unnoticed in any installation, whether domestic or professional.

Ergonomically designed potentiometer with 10 attenuation and switch-off positions for easy handling.

They offer 2-wire inputs as well as 3-wire and 4-wire inputs priority systems Therefore, they are perfect for issuing priority warnings in large installations.

Thanks to their standard dimensions, they can be fitted with universal square and round boxes for plasterboard partition walls (plasterboard). They can also be surface mounted in conjunction with the surface mounting boxes mod. DOT-BOX, available in black or white.

The entire range is supplied in white, however, for installations requiring black attenuators, the black panel mod can be purchased separately. DOT-01N, easily interchangeable with white.

Perfect for public address and voice evacuation systems, large and small shops, shopping centres, hotels, cafés, amusement arcades, home use, etc.

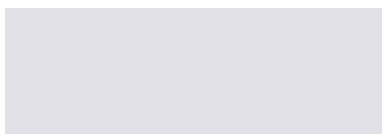
TECHNICAL CHARACTERISTICS

FEATURES	100 V line attenuator with autotransformer for recessed or surface mounting 2-wire input and 3- and 4-wire priority systems.
POWER	60 W maximum
INPUTS	High Z 100 V line
OUTPUTS	High Z 100 V line
CONTROLS	10 attenuation positions and off switch
DIMENSIONS	Total: 83 x 83 x 50 mm depth Insert: 50 x 50 x 37.8 mm depth
WEIGHT	0.2 kg



+ Info:

<https://fonestar.com/DOT-60TR>



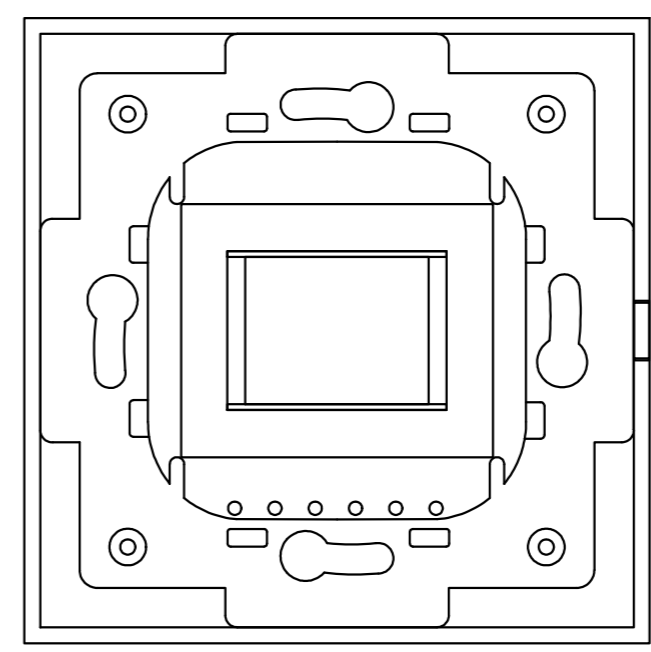
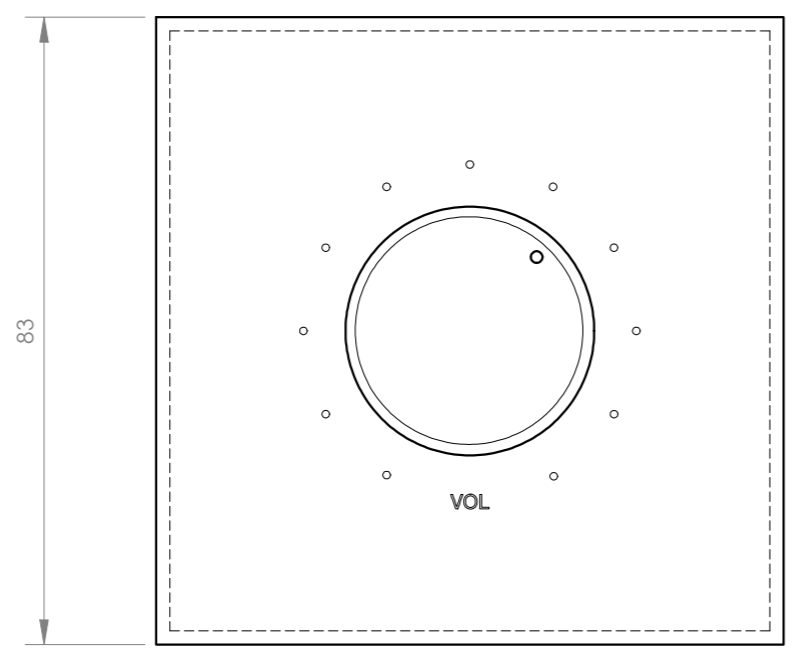
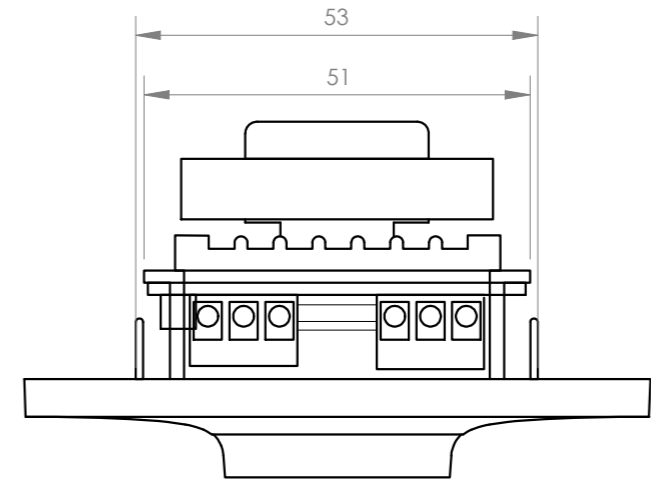
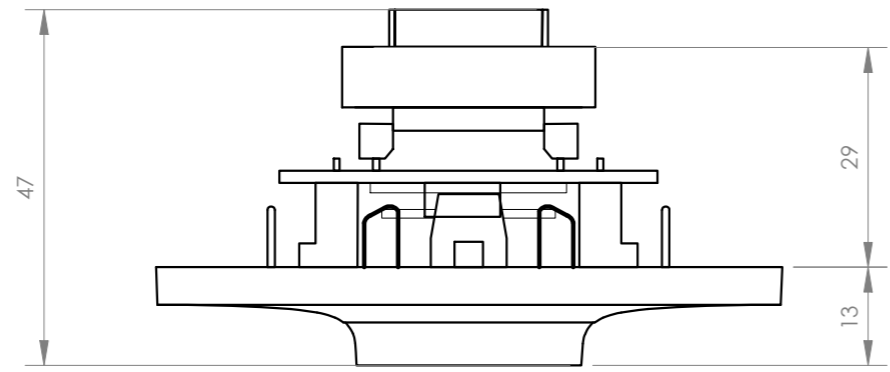
For standard universal square box, round for plasterboard partitions and for surface installation box mod. DOT-BOX.

Distance between screws: 60 mm



+ Info:

<https://fonestar.com/DOT-60TR>



FONESTAR	Model	Description	Units	Scale
	DOT-60TR	100 V LINE ATTENUATOR	mm	1:1