

INTERFON-V

WINDOW INTERCOM



DESCRIPTION

Window intercom

Window intercom for communication through windows or partitions.

Due to the current situation requiring social distancing and protection in certain positions, communication has become more difficult. This window intercom amplifies the voice in both directions, improving communication and reducing the effort to communicate.

Hands-free communication.

It has independent volume control for the microphone and the window, to better adapt the operation to the users.

For privacy in the booth, it has a mute button for the interior and window.

Easy installation and maintenance.

Ticket counters, banks, cash desks, control posts, motorway toll booths, car parks, etc.



Expand product information on:
<https://fonestar.com/es/INTERFON-V>

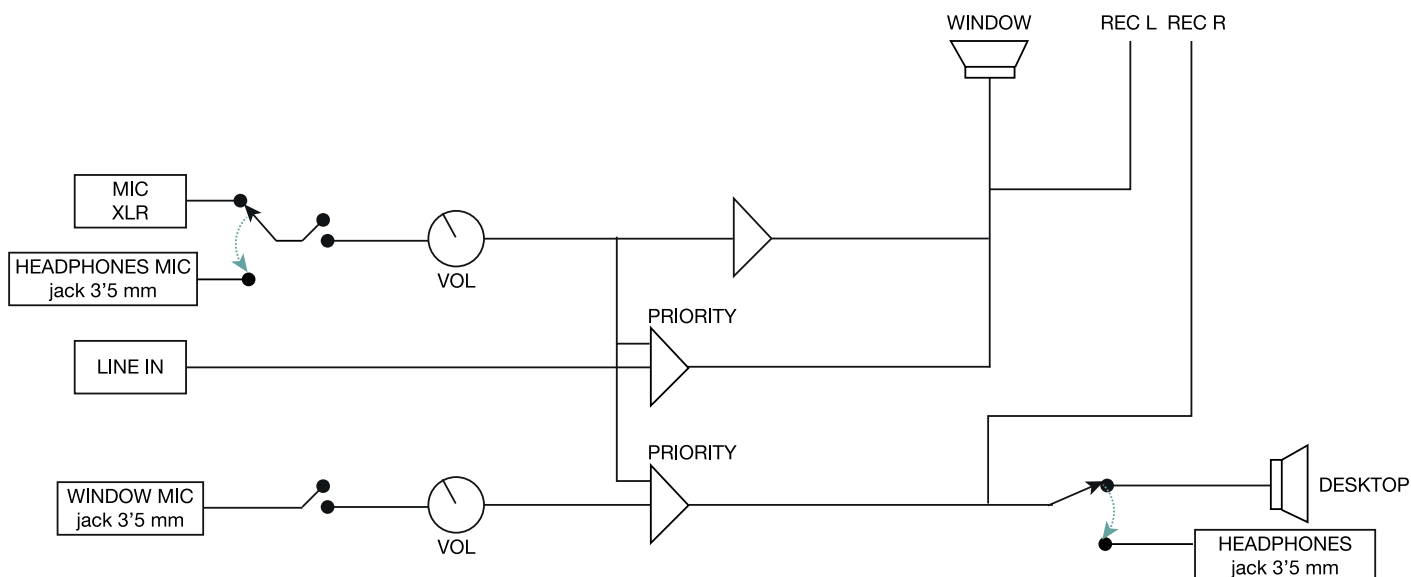
TECHNICAL CHARACTERISTICS

FEATURES	Window intercom. Two-way sound.
FUNCTIONS	Automatic control of communication, internal intercom priority Anti-feedback LED operation indicator lights on the desktop intercom Optimal speaking distance to the window intercom microphone 20 cm Headset input The window intercom can be hung or attached to the glass with the supplied double-sided stickers.
POWER	2 x 5 W maximum
CONTROLS	On/off Independent window and interior volume Window and interior mute button
INPUTS	1 x window intercom, 3.5 mm 4-pin jack 1 x headset micro headset, 3.5 mm 4-pin jack 1 x line, 3.5 mm stereo jack for playback through window intercom
OUTPUTS	1 REC, 3.5 mm 3-pin jack
POWER SUPPLY	12 V DC, 1 A with adapter included
DIMENSIONS	Desktop intercom: 105 x 60 x 139 mm depth Gooseneck microphone: 396 mm height Window intercom: 87 x 109 x 35 mm depth
WEIGHT	0.6 kg
ACCESSORIES	2.5 m window intercom cable, 3.5 mm 4-pin jack. Windproof foam Double-sided adhesive for window intercom installation.



Expand product information on:
<https://fonestar.com/es/INTERFON-V>

Block diagram



Amplia la información de los productos en:
<https://fonestar.com/INTERFON-V>