

# PROX-120S

PA SINGLE ZONE AMPLIFIER



## DESCRIPTION

PA amplifier

The best tool for venue sound installation.

Reliable for long working days.

Distributed audio for PA installations with 100 V loudspeakers, also with low impedance output.

User-friendly operation and a modern, discreet design.

A solution to suit any budget.

Safe and durable connections with low maintenance.

Perfect for public address and piped music systems with 100 V or low impedance line speakers. Retail, educational centres, monuments, exhibitions, bars, restaurants, etc.

## TECHNICAL CHARACTERISTICS

FEATURES	<p>PA Amplifier</p> <p>Microphone inputs with mix, gain and priority level control.</p> <p>Input priorities by signal level.</p> <p>Tone controls.</p> <p>100 V and 4 Ohm outputs.</p>
POWER	<p>120 W RMS</p>
RESPONSE	<p>40-20,000 Hz (-10 dB)</p>



Expand product information on:  
<https://fonestar.com/es/PROX-120S>

DISTORTION	THD+N: < 1% @ 1 kHz
S/N RATIO	>77 dB
PROTECTIONS	Overcurrent, DC and short-circuit at the output
INPUTS	<p>CH 1 balanced mic/line with 48V Phantom, Combo connector (XLR + 6.3mm) and euroblock</p> <p>CH 2 and 3 mic/line balanced with 48V Phantom. Euroblock connector</p> <p>Mic signal level: 6 mV RMS (-44 dBV) / 600 Ohm</p> <p>Line signal level: 250 mV RMS (-12 dBV) / 100k Ohm</p> <p>2 AUX. 2 x RCA and euroblock connector. Signal level 300 mV RMS (-10 dBV) / 47,000 Ohm</p> <p>1 emergency. Euroblock connector. Signal level loudspeaker line 100 V</p> <p>1 Mute (Emergency Priority) by contact closure. Euroblock connector</p>
OUTPUTS	<p>1 line. 2 x RCA connector. 1.25 V RMS (+2 dBV) signal level</p> <p>100 V or 4 Ohm speaker output. Connector screw terminals</p>
IMPEDANCE	4 Ohm and 100 V line (83 Ohm)
FUNCTIONS	<p>Input priority (Voice over VOX inputs):</p> <p>100V Emergency input with highest priority, attenuates all other inputs.</p> <p>Mute by contact closure, attenuates all inputs except the 100V Emergency input.</p> <p>Channel 1 with priority over all other inputs, level selectable.</p> <p>Channel 2 and 3 with priority over auxiliary inputs, level selectable.</p> <p>Other functions:</p> <p>Power on, protection, signal peak and output signal indicators.</p> <p>Temperature-controlled cooling by forced ventilation</p>
CONTROLS	<p>Microphone volume</p> <p>Mic/line/phantom selector</p> <p>Master volume</p> <p>Aux input selector</p> <p>Tone: bass and treble (+/- 10 dB 100 Hz and 10k Hz)</p> <p>Microphone gain</p> <p>Priority activation signal level (VOX)</p>
OPERATING TEMPERATURE	Operation: 0° ~ 40°C



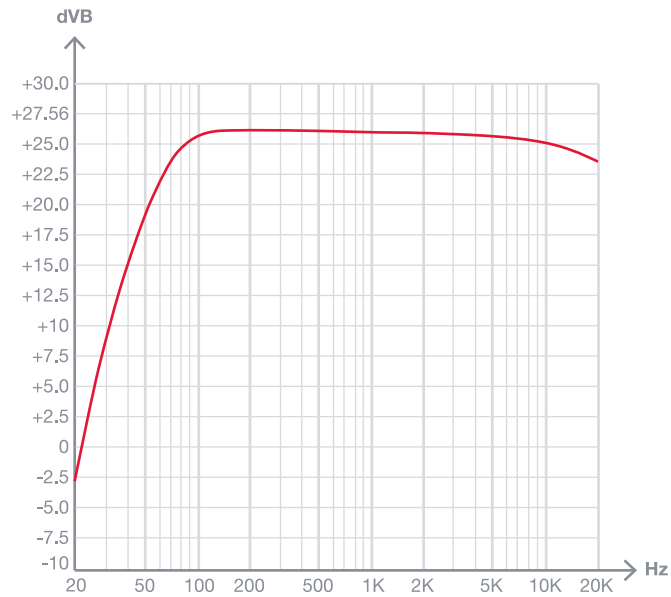
Expand product information on:  
<https://fonestar.com/es/PROX-120S>

MAXIMUM HUMIDITY	95%
POWER SUPPLY	230/115 V AC 50-60 Hz, 320 W Fuse AC 230 V 3.15 A / 115 V 6 A
DIMENSIONS	433 x 89 x 360 mm depth. 2 U 19" rack
WEIGHT	9.5 kg
ACCESSORIES	Power cable Rack mounts

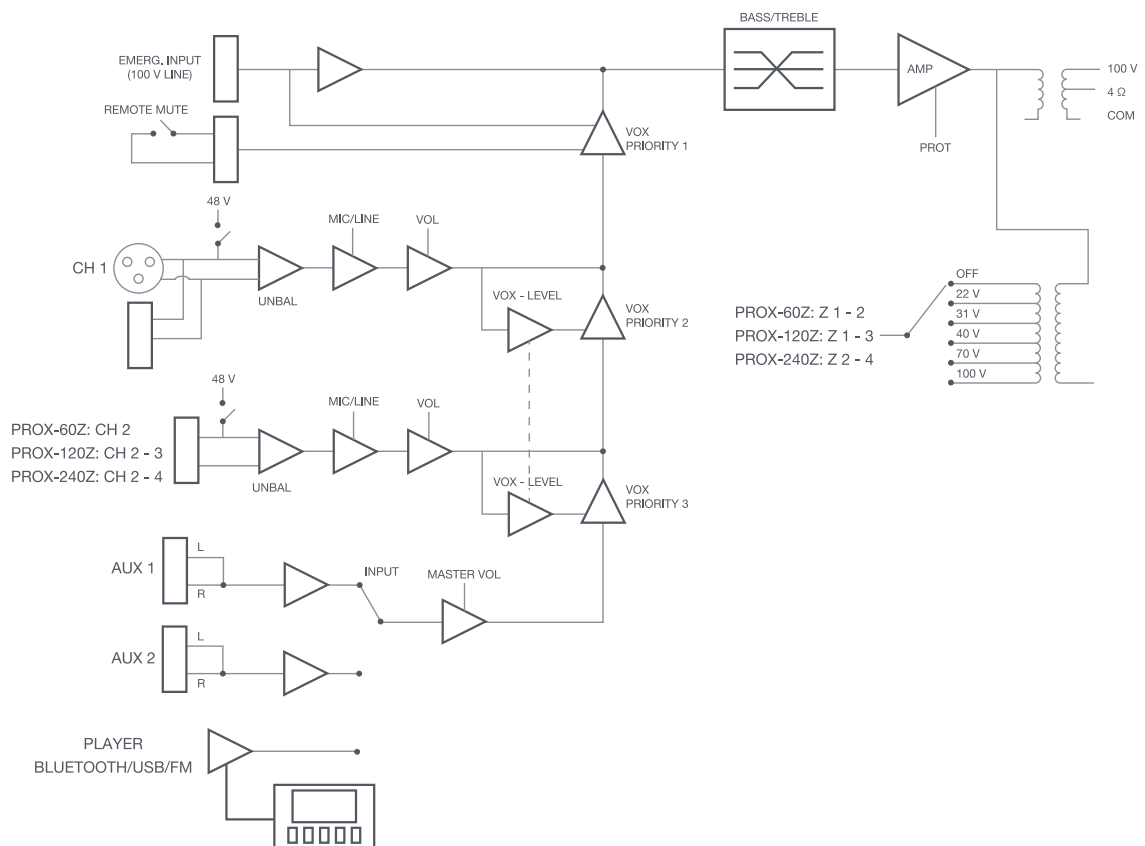


Expand product information on:  
<https://fonestar.com/es/PROX-120S>

## Frequency response



## Block diagram



Amplia la información de los productos en:  
<https://fonestar.com/es/PROX-120Z>