

PROX-60Z

PA MULTI-ZONE AMPLIFIER



DESCRIPTION

PA amplifier with Bluetooth®/USB/FM player and speaker zone selector

The best tool for venue sound systems.

Reliable for long working days.

Distributed audio for PA installations with 100 V loudspeakers, also with low impedance output.

Versatile player for background music.

It has 2 zone outputs with volume control for different music levels per zone.

User-friendly operation and a modern, discreet design.

A solution to suit any budget.

Safe and durable connections with low maintenance.

Can be used on desktop or rack mounted.

Perfect for public address and piped music systems with 100 V or low impedance line speakers. Retail shops, educational centres, monuments, exhibitions, bars, restaurants, etc.

TECHNICAL CHARACTERISTICS

FEATURES

- Public Address Amplifier
- Bluetooth/USB/FM player.
- Microphone inputs with mix, gain and priority level control.
- Input priorities by signal level.
- Tone controls.
- 100 V and 4 Ohm outputs.
- 2 output zones with volume and Off control.



Expand product information on:
<https://fonestar.com/es/PROX-60Z>

POWER	60 W RMS
RESPONSE	60-20,000 Hz (-10 dB)
DISTORTION	THD+N: < 1% @ 1 kHz
S/N RATIO	>77 dB
PROTECTIONS	Overcurrent, DC and short-circuit at the output
INPUTS	CH 1 balanced mic/line with 48V Phantom, Combo (XLR + 6.3 mm) and euroblock. CH 2 balanced mic/line with 48V Phantom, Euroblock connector. Mic signal level: 6 mV RMS (-44 dBV) / 600 Ohm Line signal level: 250 mV RMS (-12 dBV) / 100k Ohm 2 AUX. 2 x RCA and euroblock connector. Signal level 300 mV RMS (-10 dBV) / 47,000 Ohm 1 emergency. Euroblock connector. Signal level loudspeaker line 100 V 1 Mute (Emergency Priority) by contact closure. Euroblock connector
OUTPUTS	1 line. 2 x RCA connector. Signal level 1.25 V RMS (+2 dBV) 100 V or 4 Ohm speaker output, or 2 100 V speaker zones with 5-position volume selector and OFF. Connector screw terminals
IMPEDANCE	4 Ohm and 100 V line (166 Ohm)
FUNCTIONS	Input priority (Voice over VOX inputs): 100 V Emergency input with highest priority, attenuates all other inputs. Mute by contact closure, attenuates all inputs except the 100 V Emergency input. Channel 1 with priority over all other inputs, selectable level. Channel 2 with priority over auxiliary inputs, level selectable. Other functions: Power on, protection, signal peak and output signal indicator lights. Fanless induction cooling
PLAYER	Bluetooth/USB/FM player for background music playback MP3 and WAV files supported Maximum USB memory capacity 64 GB Autoplay, playback starts automatically when power is switched on Memory of last selected mode Play mode memory (random, repeat)



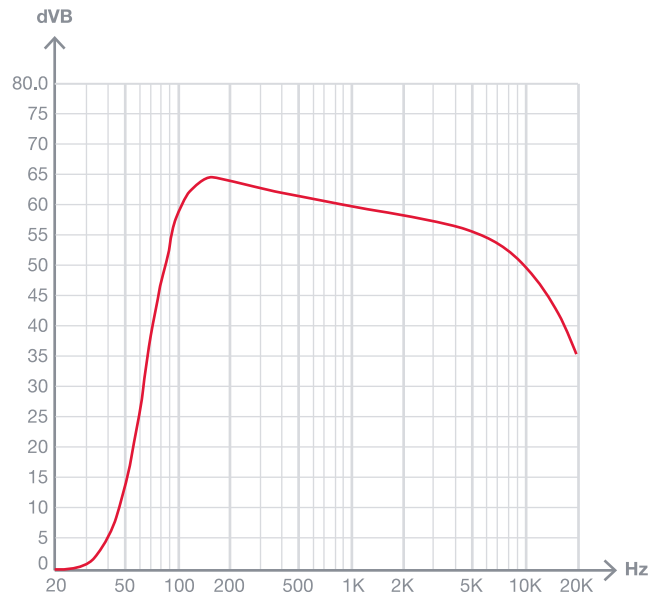
Expand product information on:
<https://fonestar.com/es/PROX-60Z>

<p>CONTROLS</p>	<p>Microphone volume Mic/line/phantom selector Master volume Aux input or player selector Zone volume Tone: bass and treble (+/- 10 dB 100 Hz and 10k Hz) Microphone gain Priority activation signal level (VOX)</p>
<p>OPERATING TEMPERATURE</p>	<p>Operation: 0° ~ 40°C</p>
<p>MAXIMUM HUMIDITY</p>	<p>95%</p>
<p>POWER SUPPLY</p>	<p>230/115 V AC 50-60 Hz, 200 W Fuse AC 230 V 1.5 A / 115 V 3.15A</p>
<p>DIMENSIONS</p>	<p>320 x 94 x 281 mm depth</p>
<p>WEIGHT</p>	<p>5 kg</p>
<p>ACCESSORIES</p>	<p>FM antenna Bluetooth antenna Power cable</p>

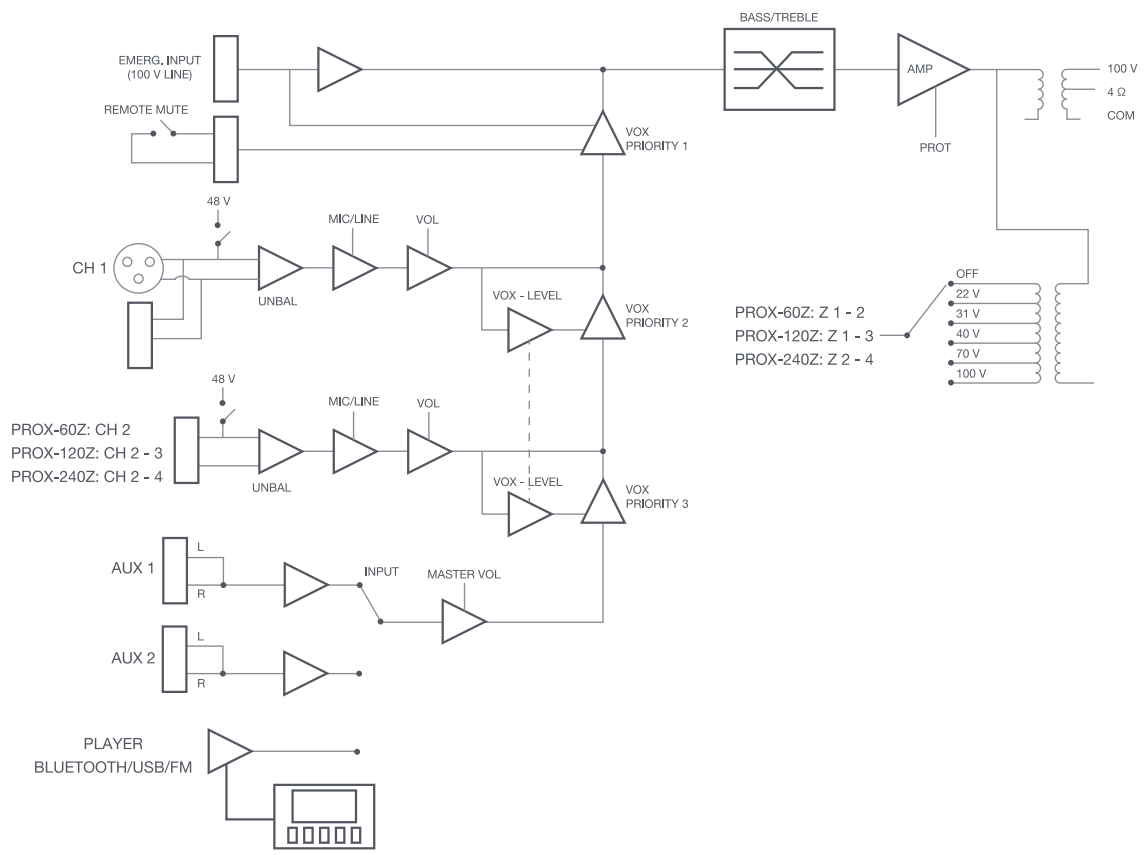


Expand product information on:
<https://fonestar.com/es/PROX-60Z>

Frequency response



Block diagram



Amplia la información de los productos en:
<https://fonestar.com/es/PROX-60Z>