

PUBLIC ADDRESS / SOUND KITS / ROOF

## KS-12B

SOUND KIT. PAIR OF BLUETOOTH CEILING SPEAKERS



- ✓ High-quality, powerful stereo sound
- ✓ 2 x 20 W RMS integrated amplifier
- ✓ Easy integration and installation



+ Info:  
<https://fonestar.com/KS-12B>

ESPECIALLY RECOMMENDED IN:



Hospitality



Retail



Hotels



All sectors

## DESCRIPTION

Pair of Bluetooth® ceiling speakers. Ideal sound kit for offices and home, in medium sized rooms, kitchens, etc., consisting of active speaker and passive speaker, with coaxial speakers with 6" woofer and 1" tweeter. Enjoy high quality and powerful sound without distortion. It has several audio sources, Bluetooth receiver, USB player and auxiliary input, expanding its possibilities and allowing you to enjoy your music. You can receive music from your smartphone via Bluetooth. You can also play music from a USB or any other device with line level output connected to the auxiliary input. It allows you to limit the maximum volume to 50%, to ensure that there is no disturbance. In addition, it has a mono/stereo selector for different listening configurations. It allows to select 5 equalisations with the remote control to adapt the listening to the tastes of the listeners. Its frameless round aluminium grille speakers allow for easy integration into any space. It can be controlled by smartphone in Bluetooth mode or via the included remote control. Ideal for small sound systems in waiting rooms, small shops, offices, homes, etc.



+ Info:

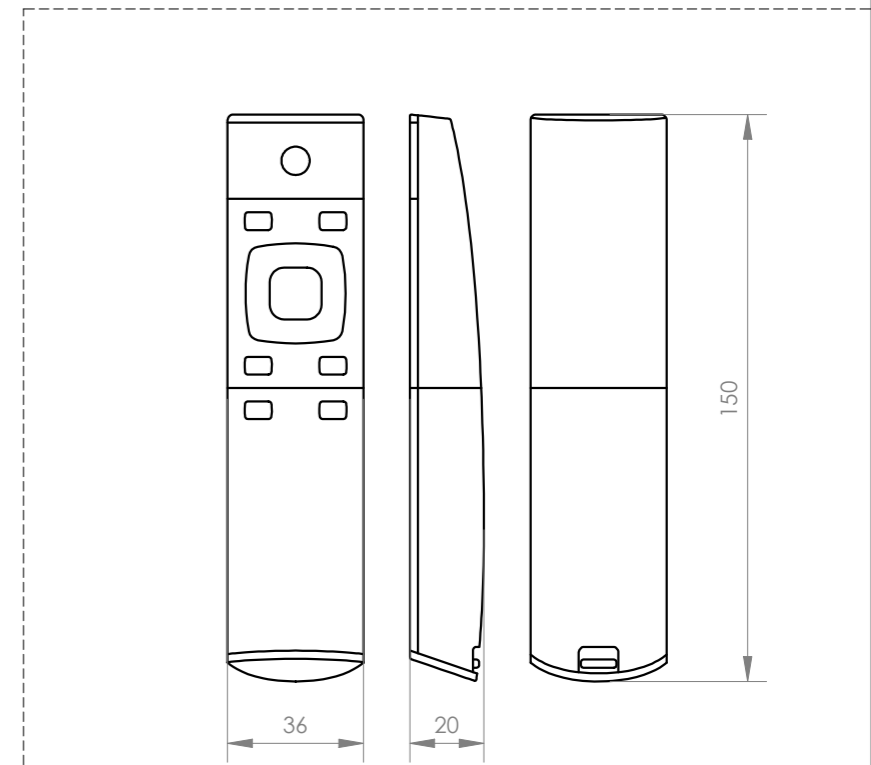
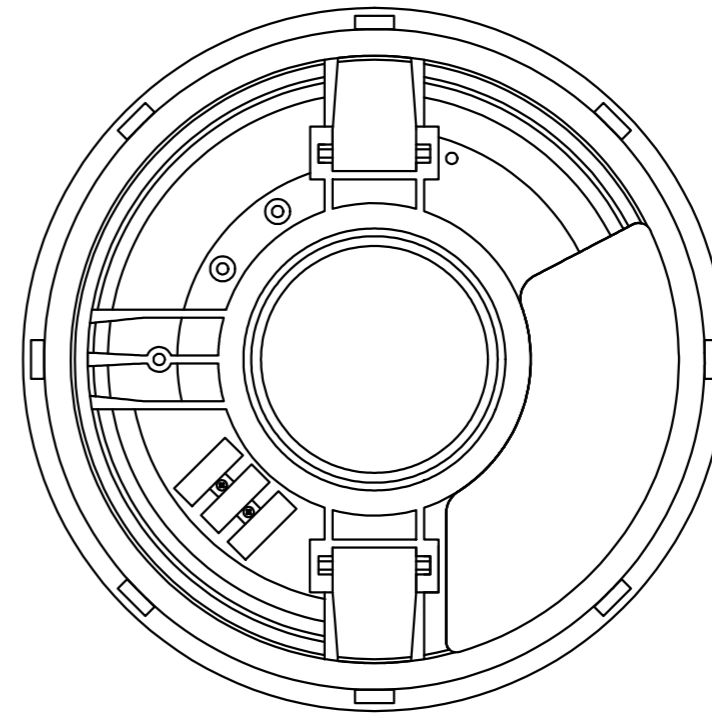
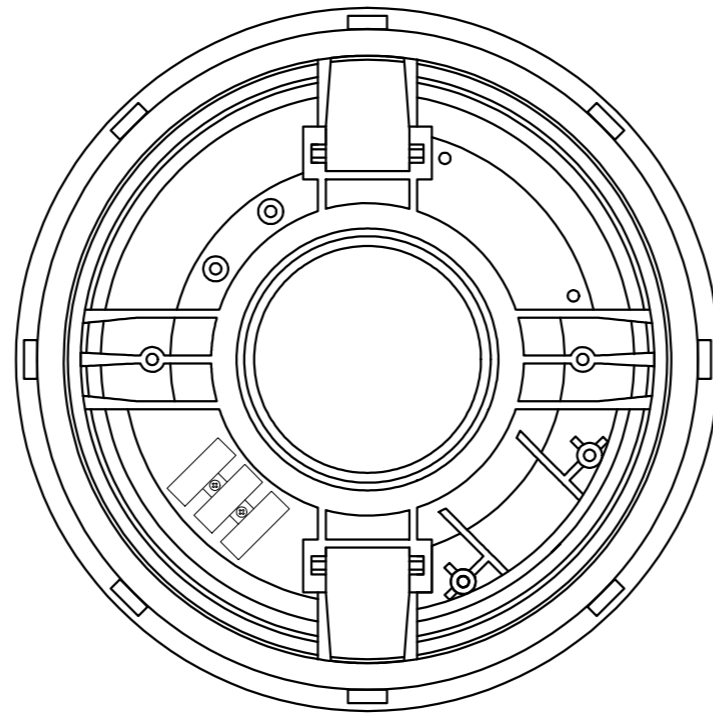
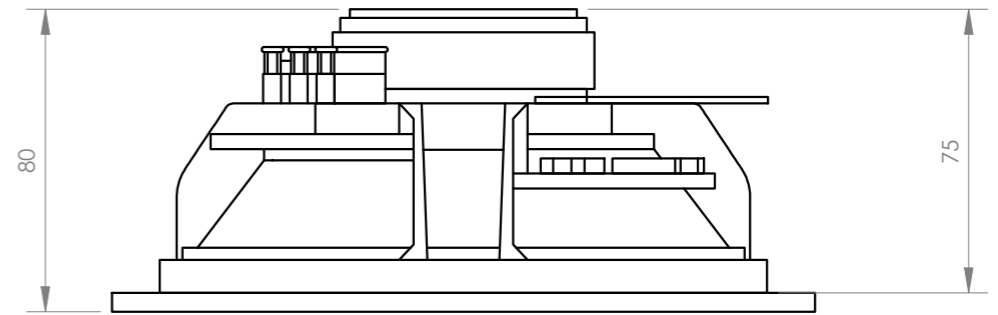
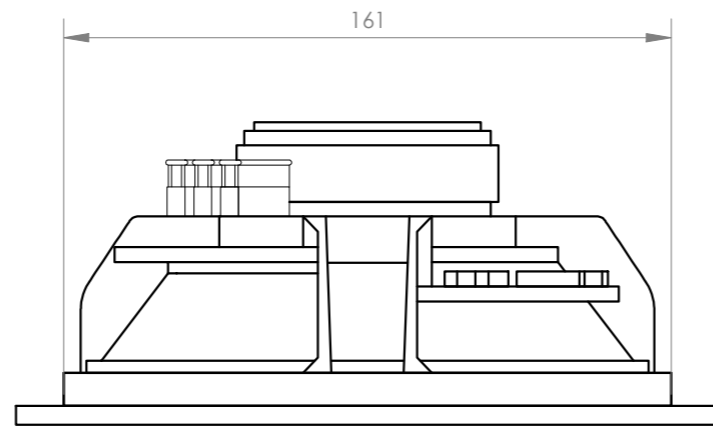
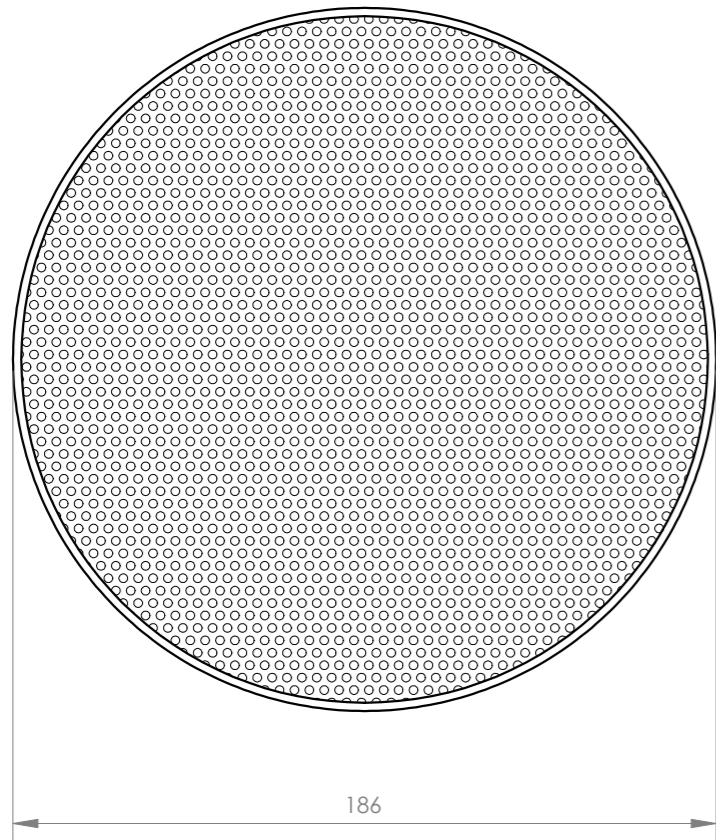
<https://fonestar.com/KS-12B>

## TECHNICAL CHARACTERISTICS

FEATURES	<p>Pair of Bluetooth ceiling speakers.          Active speaker with integrated amplifier and passive speaker output.          Bluetooth receiver.          USB player for mp3 and wav files.          Line input.          Automatic Standby function after 10 minutes without audio signal.          Stereo or mono operation mode.          Maximum volume limit between 100% and 50%.          5 selectable equalisations.          High sound quality coaxial speakers.          Frameless aluminium protective grille.          Remote control included.</p>
BLUETOOTH	<p>Bluetooth 5.3          Transmission distance 10 m.</p>
AMPLIFIER	2 x 20 W RMS
LOUDSPEAKERS	Coaxial: 6" woofer and 1" tweeter (active and passive) @ 8 Ohm
CONTROLS	<p>Volume limiter (50% and 100%)          Stereo/mono selector          5 Equalizations          USB playback mode (random, repeat all, repeat 1)</p>
INPUTS	1 stereo aux, euroblock
RESPONSE	60–20,000 Hz
S/N RATIO	92 dB
SENSITIVITY	89 dB @ 1W/1m
MAXIMUM ACOUSTIC PRESSURE	101 dB @ max W/1m
MATERIALS	<p>ABS enclosure          Frame-less aluminium round grille</p>
CONNECTORS	Euroblock
COLOUR	White (RAL 9003)
POWER SUPPLY	24 V DC, 3 A including adapter
DIMENSIONS	<p>Loudspeakers:          185 mm Ø x 75 mm depth          Cut-out hole: 170 mm Ø</p>
WEIGHT	1.5 kg
ACCESSORIES	<p>Speaker cable 5 m          Remote control receiver extension cable 1 m          Remote control          Batteries for remote control</p>
NOTE	Possibility to change Bluetooth ID and password with PC software.



+ Info:  
<https://fonestar.com/KS-12B>



<b>FONESTAR</b>	Model	Description	Units	Scale
	KS-12B	SOUND KIT. PAIR OF BLUETOOTH CEILING SPEAKERS	mm	1:2