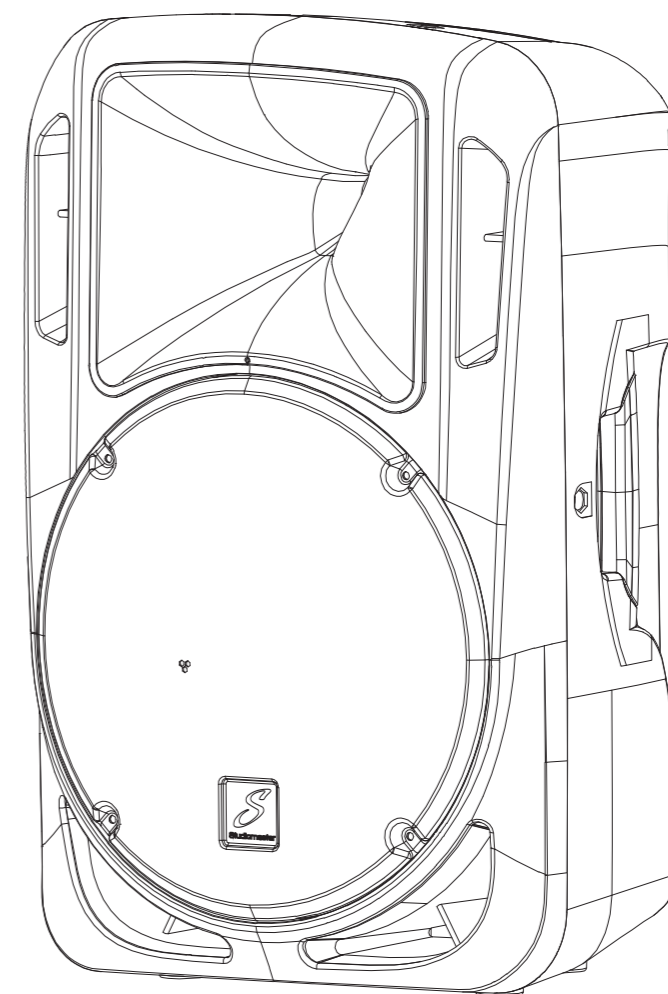


EXPECT THE BEST
EXPECT THE BEST

Studiomaster

DRIVE

MODELS COVERED: 10,10A, 10AU, 12,12A,12AU,15,15A,15AU



**USER
GUIDE**

Studiomaster

**Unit 11,
Torc:MK
Chippenham Drive
Kingston
Milton Keynes
MK10 0BZ
United Kingdom.
Tel: +44(0)1908 281072 email: enquiries@studiomaster.com**

SERVICE INFORMATION

If you have a problem with your Studiomaster product or think it has developed a fault you should first carefully check the Trouble Shooting section in this guide. If this does not solve the problem or if the product is physically damaged, contact your local dealer or distributor for service details.

Should it be recommended you return the product to your nearest Studiomaster Service Centre you must first contact them.

You will be asked for the product type and serial number. You will then be given a returns Authorisation (RA) number.

Pack the unit in its original carton to protect it from shipping damage.

You must have the Returns Authorisation number clearly marked on the outside of the carton or we may refuse the delivery.

Studiomaster cannot be held responsible for damage resulting from the equipment being packed incorrectly.

Label the equipment clearly with your name and address and include a clear description of the fault. The more information you supply helps the service engineer, minimising repair cost when out of warranty.

Please write your serial number here for future reference.

Trouble shooting

Problem	Reason
Power LED does not light up	Check if the power cord is connected well? If power supply is ok? If the power switch is set to ON? If the amp fuse is broken?
No sound	If the system is connected well? if power supply is turned on? if signal input is ok?
Distortion	If the signal level is too high? If PEAK LED lights up? if the switch is released?
Abnormal tone	If system is connected well? if signal input is ok? if ground switch is released?
Insufficient SPL	If system is connected well? if volume knob (LEVEL/GAIN) is set well?

If you can not solve the problem, please contact our distributor.

Model	bDRIVE10A
Format	10inch two way
Frequency Response(-10dB)	60Hz--20kHz
Input Sensitivity LINE	0dBu fixed gain
MIC	-16 to +36dB
EQ, +-12dB	12kHz, 2.5kHz, 60Hz
Max SPL	126dB
Amplifier power, rms	LF 250W, HF 60W
Peak system power	620W
Crossover Frequency	2.5kHz
Woofers	10inch dia, 50mm voice coil
Compression driver	34mm voice coil
Coverage: Horizontal x vertical	90 ° x 60°
Input connections	XLR/Jack combo input, XLR LINK output
Power requirements	175W Max, 50/60Hz~
Voltage selector	230V / 115V
Dimension w x h x d	335×545×319 (mm)
Weight (net/shipping)	14kg / 17kg

Model	bDRIVE 10AU
As above with the addition of an mp3/WMA player .	

Model	DRIVE 12A	DRIVE 15A
Format	12inch two way	15inch two way
Frequency Response(-10dB)	50Hz--20KHz	45Hz--20KHz
Input Sensitivity LINE	0dBu fixed gain	0dBu fixed gain
MIC	-16 to +36dB	-16 to +36dB
EQ, +-12dB	12kHz, 2.5kHz, 60Hz	12kHz, 2.5kHz, 60Hz
Max SPL	126dB	127dB
Amplifier power, rms	LF 250W, HF 60W	LF 250W, HF 60W
Peak system power	620W	620W
Crossover Frequency	1.3kHz	1.3kHz
Woofers	12inch dia, 50mm voice coil	15inch dia, 50mm voice coil
Compression driver	34mm voice coil	34mm voice coil
Coverage: Horizontal x vertical	80° x 40°	80° x 40°
Input connections	XLR/Jack combo input, XLR LINK output	XLR/Jack combo input, XLR LINK output
Power requirements	175W Max, 50/60Hz~	175W Max, 50/60Hz~
Voltage selector	230V / 115V	230V / 115V
Dimension w x h x d	390x630x360(mm)	450x710x370(mm)
Weight (net/shipping)	19kg / 23kg	22kg / 26kg

Model	DRIVE 12AU	DRIVE 15AU
As above with the addition of an mp3/WMA player .		

Introduction

Thank you for purchasing Studiomaster DRIVE series pro speaker cabinets.

This series features stable and light weight class D power amplifier, premium low distortion but high efficiency cone woofer, and 34mm diaphragm HF compression driver to offer clear tone, especially in big dynamic. The specially designed cabinet eliminates standing wave. Handle is designed for easy transportation. This series is suitable for The applications in conference room, multifunction hall, concert hall, bar, coffee bar.

READ THE USER GUIDE

The Studiomaster design philosophy has always been to provide the controls and features the user needs making operation simple and intuitive, Despite this it is worth taking the time to read this User Guide to familiarise yourself with the controls to get the best out of your product. It also contains important safety information and practical hints.

Caution

To avoid accidental damaged, please obey, include but not limit, the following items:

- * When opening the package, please check if the equipment is damaged during transportation.
- *It produces SPL higher than 120dB which can cause permanent listening loss. Please set a proper volume.
- *If you use Studiomaster speaker stand or other stand for pole mounting, please pay attention to the following items:
 - Put the stand on an even and non-skidding surface.
 - Open the stand feet as wide as possible.
 - Tighten the fixing knob.
- *Please avoid feedback during operation;
- *Do not plug or unplug the signal cable when the amplifier is on.
- *Do not disassemble the metal grille of the speaker cabinet.

UNPACKING

Remove your Studiomaster product from its packaging and check you have the following:

Speaker cabinet	1PCS
Power cord(no cord for passive model)	1PCS
User guide	1PCS
Warranty card	1PCS

SAFETY INSTRUCTIONS

READ THIS BEFORE YOU USE THIS PRODUCT

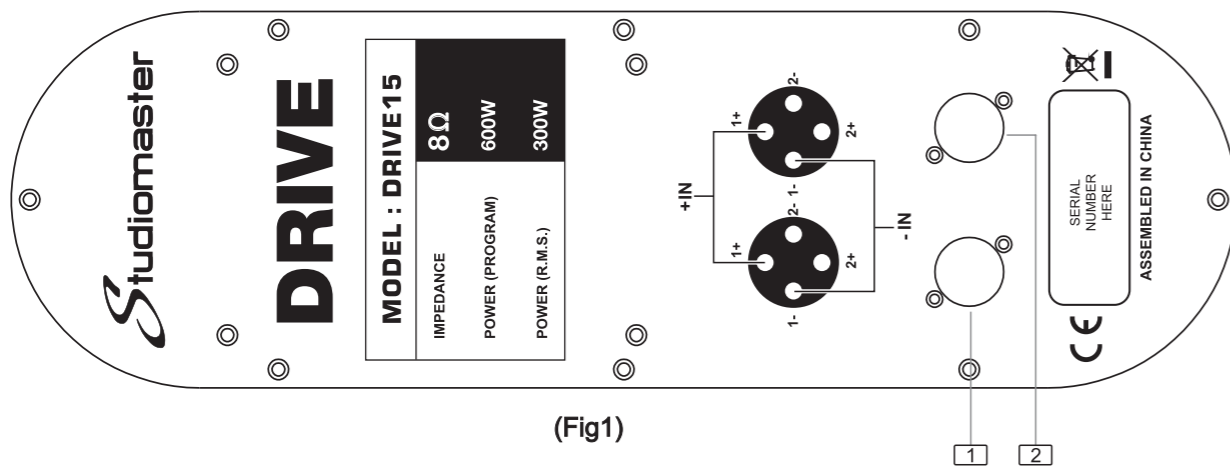
1. Before connecting the A.C. power cord make sure the Voltage Selector is set for your local A.C. supply voltage.
For supplies between 220 and 240V ensure it is set to 230V.
For supplies between 110 and 120V ensure it is set to 115V.
 2. Only use the A.C. power cord / mains lead supplied with this product. Replace if it becomes damaged in any way.
 3. Never operate without, or remove the safety ground (earth) from the A.C. Power cord/mains lead.
 4. Do not attempt to remove any screws or panels. There are no user serviceable parts inside.
 5. Do not operate the unit next to heat sources such as radiators.
 6. The unit should not be operated or stored near rain or moisture.
 7. This equipment must not be exposed to dripping or splashing and no objects filled with liquids should be placed on top of it.
 8. Write the serial number in the box provided in the Warranty section for future reference.
 9. If the unit gets damaged, has been dropped or appears to have developed a fault refer to the Service Information section for details.
- WARNING: THIS APPARATUS MUST BE EARTHED (GROUNDED)



WEEE Mark

If you want to dispose of this product, do not mix with general household waste. There are separate collection systems for used electronic products in accordance with legislation under the WEEE Directive (Directive 2002/96/EC) and is effective only within the European Union.

Panel operation



(Fig1)

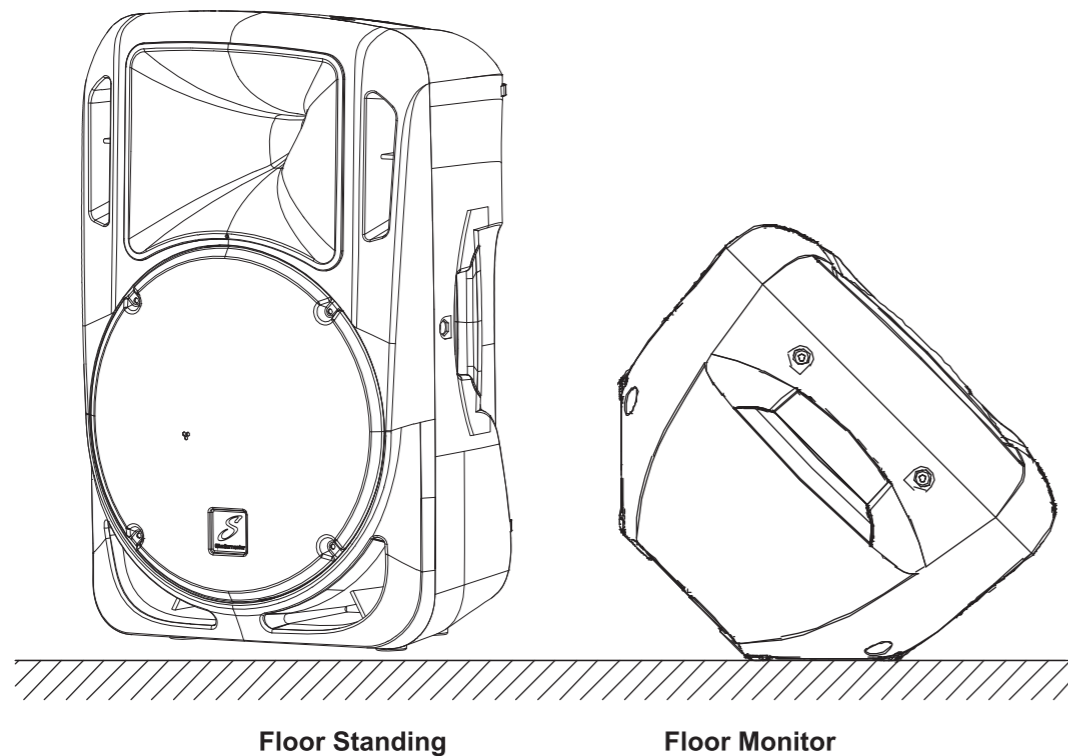
Passive panel(fig1)

- 1). Speaker socket -connect to power amplifier
- 2). Speaker socket -can be used to link addition speakers

Specification

Model	bDRIVE 10
Format	10inch two way
Frequency Response(-10dB)	60Hz--20KHz
Sensitivity 1W/1m	94dB
Impeadence	8ohm
Power continuous, program, peak	200, 400, 800 Watts
Crossover Frequency	2.5kHz
Woofer	10inch dia, 50mm voice coil
Compression driver	34mm voice coil
Coverage: Horizontal x vertical	90° x 60°
Max SPL	123dB
Connections	4 pole speaker socket
Dimension w x h x d	335×545×319 (mm)
Weight (net/shipping)	13 kg/15kg

Model	DRIVE 12	DRIVE 15
Format	12inch two way	15inch two way
Frequency Response(-10dB)	50Hz to 20kHz	45Hz to 20kHz
Sensitivity 1W/1m	96dB	97dB
Impeadence	8ohm	8ohm
Power continuous, program, peak	250, 500, 1000 Watts	300, 600, 1200 Watts
Crossover Frequency	2.0kHz	2.0kHz
Woofer	12inch dia, 65mm voice coil	15inch dia, 65mm voice coil
Compression driver	34mm voice coil	34mm voice coil
Coverage: Horizontal x vertical	80° x 40°	80° x 40°
Max SPL	126dB	127.5dB
Connections	4 pole speaker socket	4 pole speaker socket
Dimension w x h x d	390x630x360(mm)	450x710x370(mm)
Weight (net/shipping)	17.3Kg / 21kg	20Kg / 24kg



Floor Standing

Floor Monitor

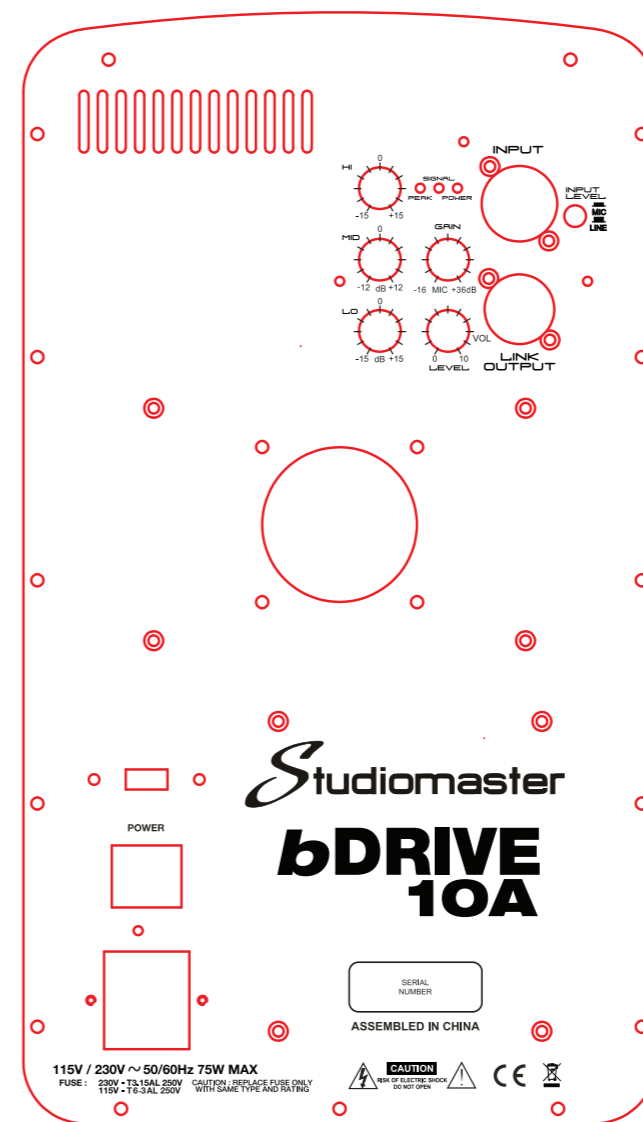
Accessories:

Studiomaster also produces some optional accessories to match your system. More detailed information, please see our website: www.studiomaster.com.

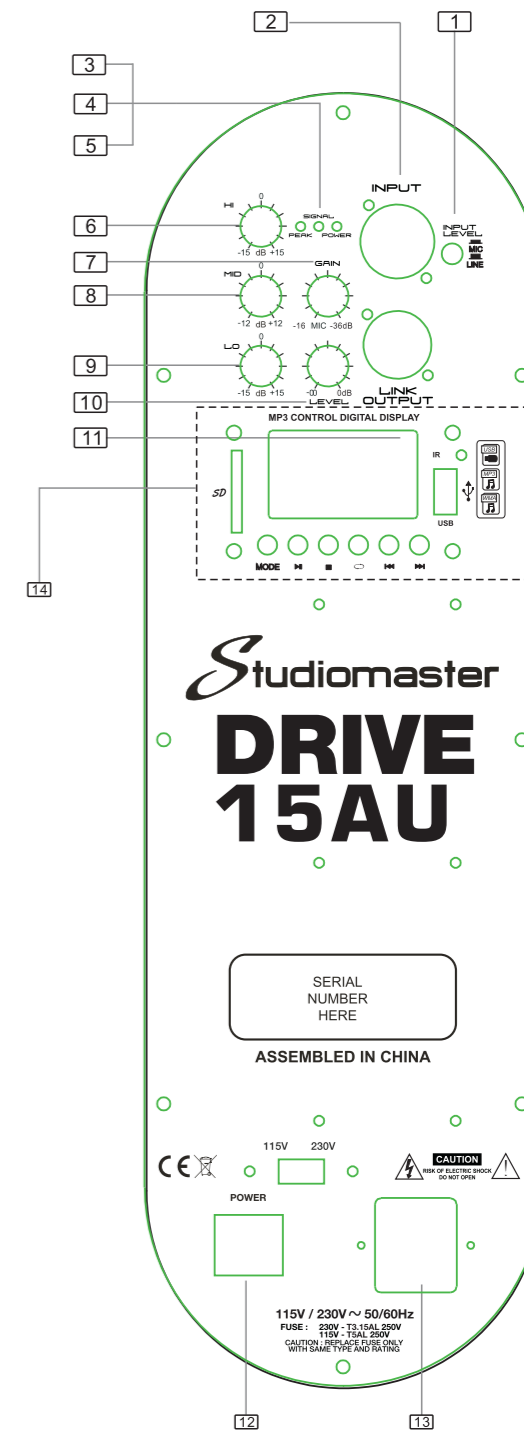


Model: SPS1
Height: 900~1400mm
Load Capacity: 50kg
Material: Aluminum

Active panel(Fig2)



(Fig2)



- 1). Line/mic switch
press this switch for mic in and release for line in.
- 2). INPUT
Combination XLR and JACK socket suitable for microphones and line level equipment.
- 3). Clip LED(PEAK): when the signal level is close to peak, this LED lights up. Please reduce the signal level to avoid distortion.
- 4). Signal LED: when the signal inputs, this LED lights up.
- 5). Power LED: when the unit is turned on, this LED lights up.
- 6). HF knob
It boosts or attenuates 15dB of HF more than 10KHz.
- 7). Mic gain control note line input is a fixed gain and volume is adjusted by the level control(10)

8).MF knob

It boosts or attenuates 15dB of MF more than 2.5KHz.

9).LF knob

It boosts or attenuates 15dB of LF below 100Hz.

10). Volume knob(LEVEL)

11).Line out connector(OUTPUT):

bal XLR connector to link with the next active speaker cabinet or other equipment.

12).Power switch(POWER): it turns on/off the unit.

13).AC power socket/fuse holder(FUSE)

14) mp3/WMA file player models 12AU/15AU only.

The following formats can be used:

Bluetooth, SD card, USB

For SD card and USB, connect either and use the MODE button to select.

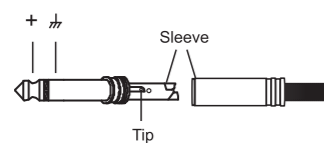
For Bluetooth use the MODE button to select. When pairing Bluetooth the Drive is identified with a headphone symbol and is called 'Bluetooth'.

The 5 buttons below the screen control play, forward, back and replay modes.

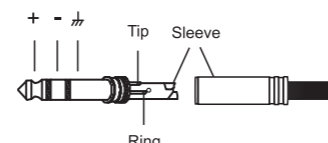
To adjust the volume of the player press and hold either of the 2 buttons to the right. A volume bargraph will appear on the screen and the volume changed using either button.

Wiring

- For 1/4" phone jack

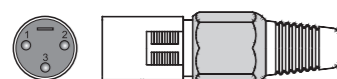


1/4" TS connector
Unbal input/output



1/4" TRS connector
bal input/output

- For XLR



XLR (male)
Pin 2=+, Pin 3=-, Pin 1=ground



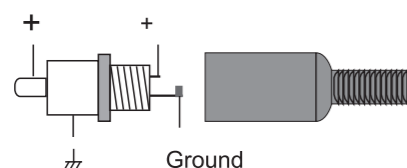
XLR (female)
Pin 2=+, Pin 3=-, Pin 1=ground

- For speaker connector



LF: 1+ 1-
HF: 2+ 2-
Speaker connection

- For RCA



Ground

Speaker Stand, Pole mounted

