

EXPECT THE BEST
EXPECT THE BEST

Studiomaster

VENTURE

P Series

Studiomaster

**Unit 11,
Torc:MK
Chippenham Drive
Kingston
Milton Keynes
MK10 0BZ
United Kingdom.
Tel: +44(0)1908 281072 email: enquiries@studiomaster.com
www.studiomaster.com**

**USER
GUIDE**

SAFETY INSTRUCTIONS

READ THIS BEFORE YOU USE YOUR PRODUCT

1. Before connecting the A.C. power cord make sure the Voltage Selector is set for your local A.C. supply voltage.
For supplies between 100 and 240V ensure it is set to 230V.
2. Only use the A.C. power cord / mains lead supplied with this product. Replace if it becomes damaged in any way.
3. Never operate without, or remove the safety ground (earth) from the A.C. Power cord mains lead.
4. Do not attempt to remove any screws or panels. There are no user serviceable parts inside.
5. Do not operate the unit next to heat sources such as radiators.
6. The unit should not be operated or stored near rain or moisture.
7. This equipment must not be exposed to dripping or splashing and no objects filled with liquids should be placed on top of it.
8. Write the serial number in the box provided in the Warranty section for future reference.
9. If the unit gets damaged, has been dropped or appears to have developed a fault refer to the Service Information section for details.

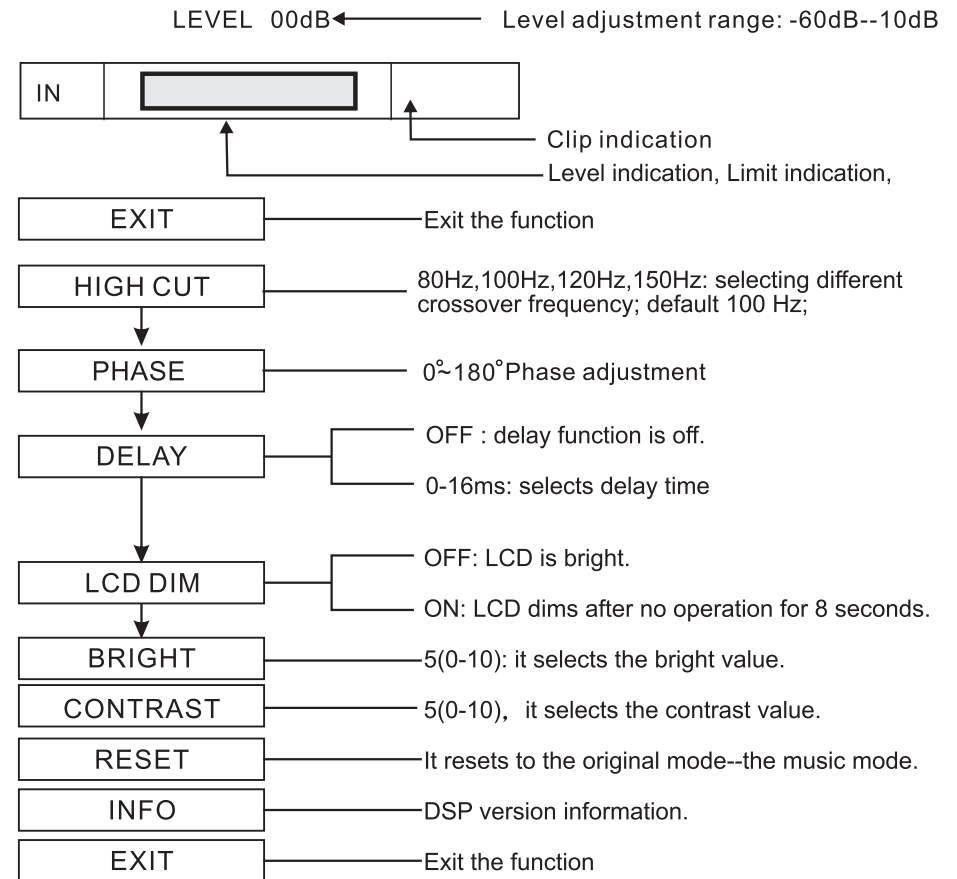
WARNING: THIS APPARATUS MUST BE EARTHED (GROUNDED)



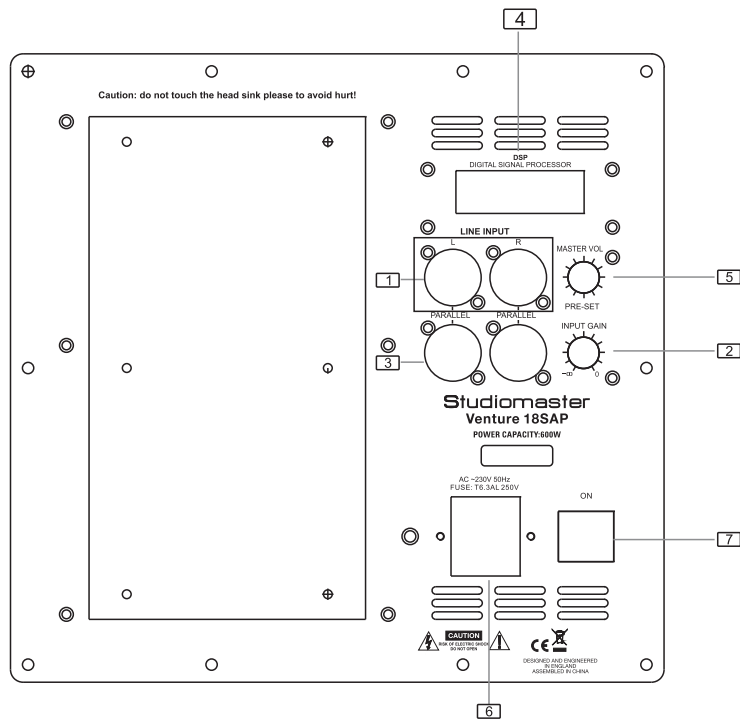
WEEE Mark

If you want to dispose of this product, do not mix with general household waste. There are separate collection systems for used electronic products in accordance with legislation under the WEEE Directive (Directive 2002/96/EC) and is effective only within the European Union.

DSP function



Active panel



- 1). INPUT
XLR socket input L/R suitable for line level equipment.
- 2). Input gain
-∞ to 0dB is for line volume adjustment.
- 3). PARALLEL
Bal XLR connector L/R parallel output to link with the next active speaker cabinet or other equipment.
- 4). LCD
LCD displays DSP functions.
- 5). Master Vol
Turn it normally to adjust the master volume. Press it to enter into the menu mode, then turn it to select the function, then press it to confirm selecting the function. If there is no adjustment after entering into the menu mode, it exits automatically and enters into the main interface.
- 6). AC power socket/fuse holder(FUSE)
- 7). Power switch(POWER): it turns on/off the unit.

A. Product features

a. Introduction

Venture P series active speaker cabinets features LF ferrite magnet with symmetric design and heat resistant voice coil for high power load and heat dissipation, HF compression driver with Al diaphragm for delicate tone, 24bit 48kHz DSP processor, four tone modes selection, 3 band EQ, low cut, limit, delay, volume control, etc; LCD for various parameter adjustment; Dual power amp design: LF Class-D power amp power amp design: LF Class-D power amp for high efficiency, compact contour, high power, light weight, and reliable performance, HF class AB power amp for pleasant tone.

b. Features

1. Unique and compact contour, light weight, black finish;
2. 15mm plywood with slot tongue;
3. \varnothing 35mm socket for pole mounting; 12 M10 flying points for suspension;
4. LF Class-D+HF class AB power amplifier, power 350W+50W;
5. 24bit 48kHz DSP, LCD for tone adjustment, 3 band EQ, low cut, limit, delay, volume control, etc
6. 12" 15" full range speaker cabinets are designed with universal power supply.

C. Application

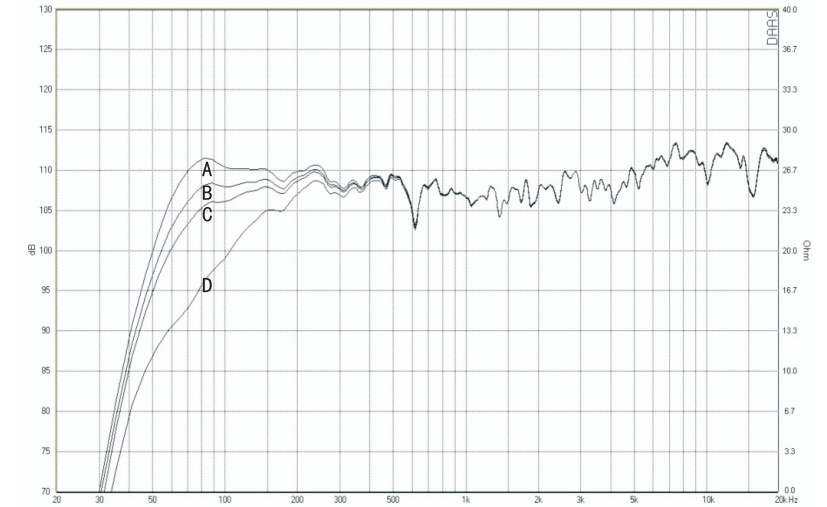
main reinforcement, filling reinforcement, stage monitoring in multifunction hall, auditorium, etc;

B. Specification

Model	Venture12AP
Type	12 inch 2 way active speaker cabinet (DSP)
Frequency response	60Hz~18kHz (-3dB) 55Hz~20kHz (-10dB)
Input sensitivity	LINE:0dBu MIC:-40dBu
Max SPL	131dB (PeaK)
AMP power	350W+50W
LF unit	12" woofer/ ϕ 63.5mm voice coil
HF unit	compression driver / ϕ 34mm voice coil
Coverage	(H*V) 80° x60°
Crossover	2.5kHz
Input connection	2xXLR/Jack combo input,3.5mm jack:XLR LINK output
Input voltage	100~240V
Suspension	12*M10 flying points+ Φ 35
Dimension	(WxHxD) 365*608*341mm
Weight (gross)	18/21.2 kg

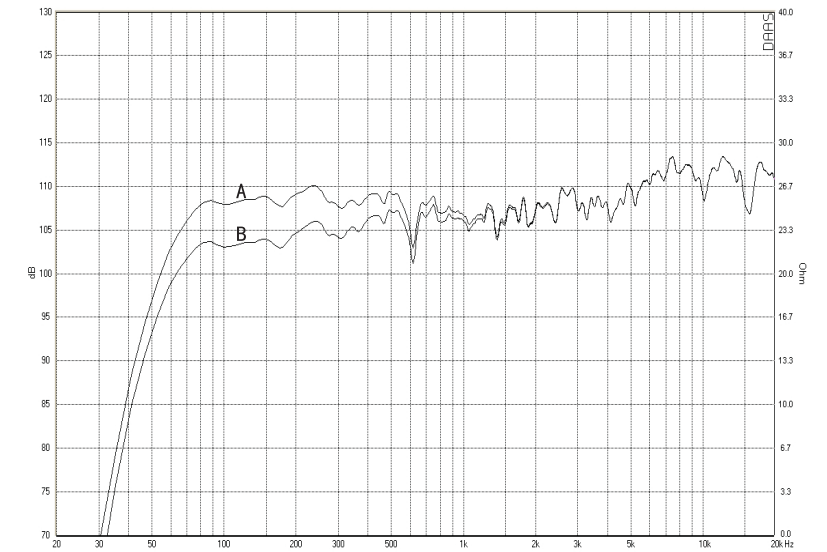
Model	Venture15AP
Type	15 inch 2 way active speaker cabinet (DSP)
Frequency response	65Hz~18kHz (-3dB) 45Hz~20kHz (-10dB)
Input sensitivity	LINE:0dBu MIC:-40dBu
Max SPL	132dB (PeaK)
AMP power	350W+50W
LF unit	15" woofer/ ϕ 63.5mm voice coil
HF unit	compression driver / ϕ 34mm voice coil
Coverage	(H*V) 80° x 60°
Crossover	2.3kHz
Input connection	2xXLR/Jack combo input,3.5mm jack:XLR LINK output
Input voltage	100~240V
Suspension	12*M10 flying points+ Φ 35
Dimension	(WxHxD) 430*704*400mm
Weight (gross)	22/26.5kg

Four curves in the MODE

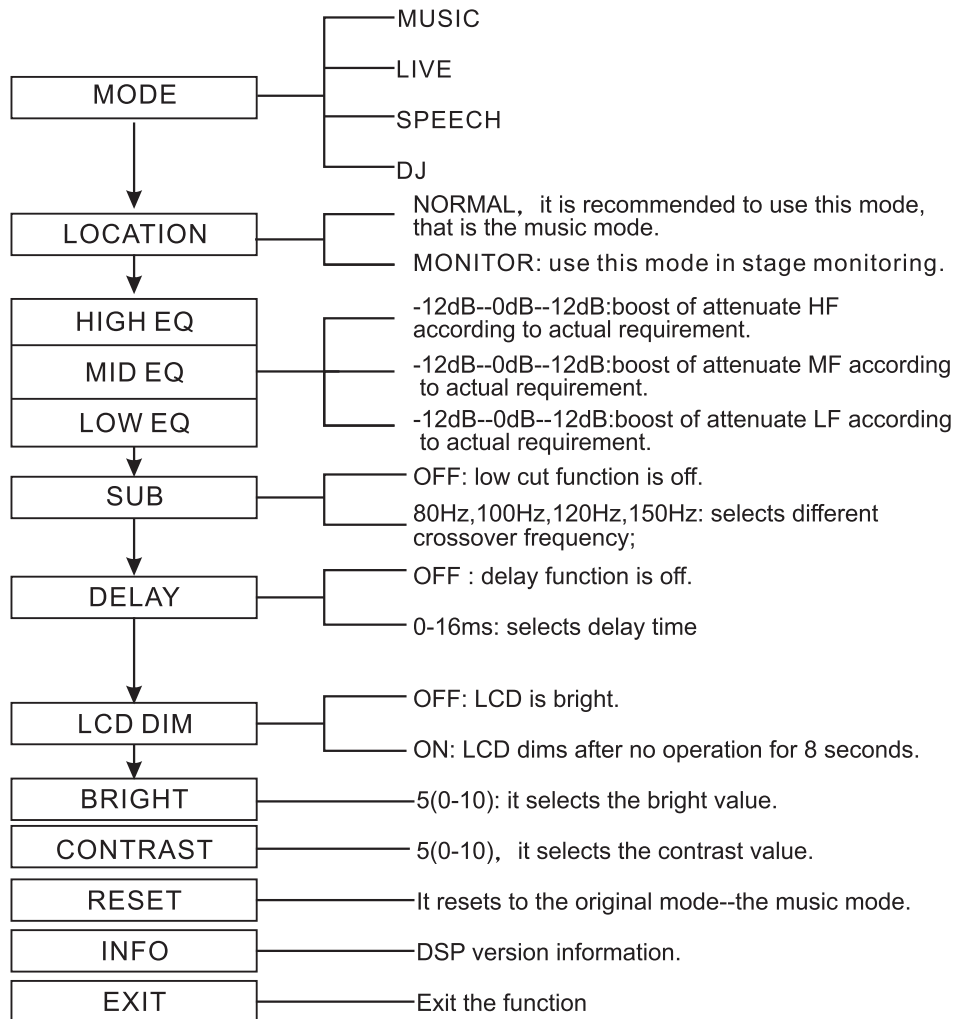


- (A). DJ
- (B).MUSIC
- (C).LIVE
- (D).SPEECH

Two curves in LOCATION



- (A). NORMAL(MUSIC)
- (B). MONITOR



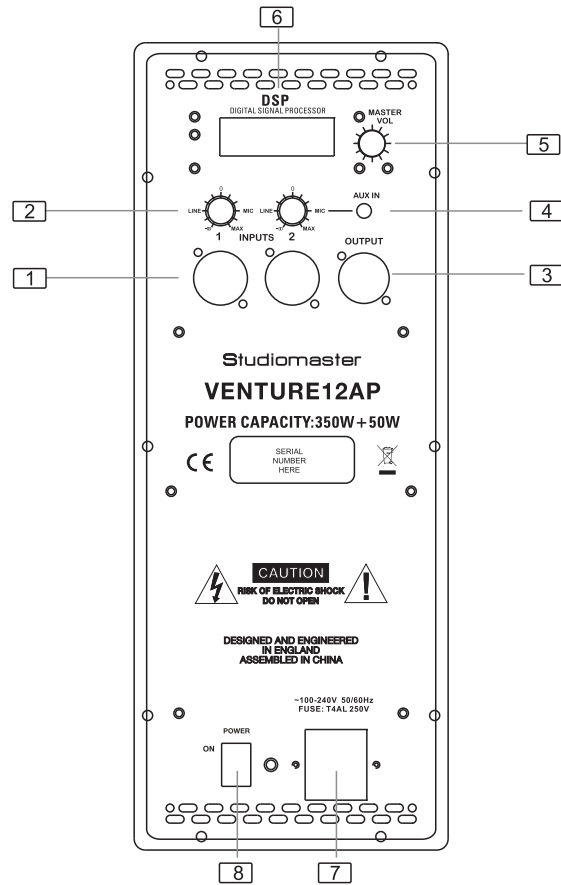
- Note: 1. When in any mode of the subpage, if there is no operation for 8 seconds, it returns back to the home page.
2. Memory function: when you turn on the system, it remains the function selection in the former operation.

Model	Venture18SAP
Type	18inch 2 way active speaker cabinet (DSP)
Frequency response	45Hz~100Hz (-3dB) 35Hz~150Hz (-10dB)
Input sensitivity	LINE:0dBu
Max SPL	134dB (PeaK)
Amp power	600W
LF unit	18" subwoofer
Input connection	2 Balanced XLR in and 2 Balanced XLR out
Input voltage	115V/230V
Suspension	Φ35
Dimension	(WxHxD) 530*681*610mm
Weight (gross)	35/41.5 kg

Problem	Reason
No sound	1.if the system connection is OK? Power supply is OK? If all equipments work normally? 2.if the volume control is turned on?
Distortion	If the input signal level too high? If the volume control is set to MIC function?
SPL not enough	1. If the external line in volume is set OK? 2. If the input signal level is too low?
Abnormal sound	1. If the mode selection is OK? 2.If EQ adjustment is OK? 3.If MODE and LOCATION selection are overlapped?
Weak bass	If mode and low cut are set normally?

- Note: 1. if you can not solve the problem, please contact out service department or dealer.
2. The product subject to change without prior notice.

Active panel



1). INPUT

Combination XLR and JACK socket suitable for microphones and line level equipment.

2).Volume knob(LEVEL)

-∞ to 0dB is for line volume adjustment. 0dB to max is for mic volume adjustment.
Please do not set to volume to max when line in.

3).Line out connector(OUTPUT):

Unbal XLR connector to link with the next active speaker cabinet or other equipment.

4).AUX IN: AUX line in

5).PARAMETER

Turn it normally to adjust the master volume. Press it to enter into the menu mode, then turn it to select the function, then press it to confirm selecting the function.
If there is no adjustment after entering into the menu mode, it exits automatically and enters into the main interface.

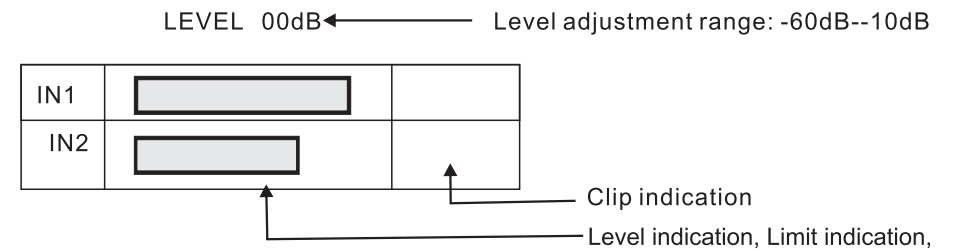
6).LCD

LCD displays DSP functions

7).AC power socket/fuse holder(FUSE)

8).Power switch(POWER): it turns on/off the unit.

DSP function



step: 1.MASTER VOL adjusts range -60dB to 10dB level. (Refer to the figure above)

2.When the signal inputs from In1 or In2, LCD displays the level status ;

(Refer to the figure above)

3.press the button to enter into the next menu. Turn the button to select function.

4.when you want to select the function in this mode, press the button to enter, then turn the button to select. Press the button to exit. Operation as below :