

MICROPHONES / ACCESSORIES / MICROPHONE STANDS

MS-201N

BASE FOR DESKTOP MICROPHONE



- ✓ Standard 5/8" thread.
- ✓ 3 foldable legs for easy storage
- ✓ Desktop use

ESPECIALLY RECOMMENDED IN:



Sports facilities



Education



Hotels



All sectors



+ Info:

<https://fonestar.com/MS-201N>

DESCRIPTION

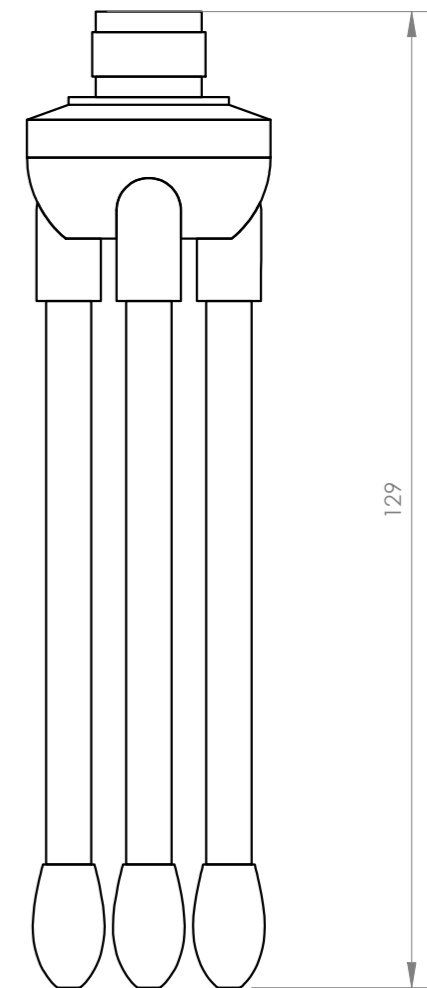
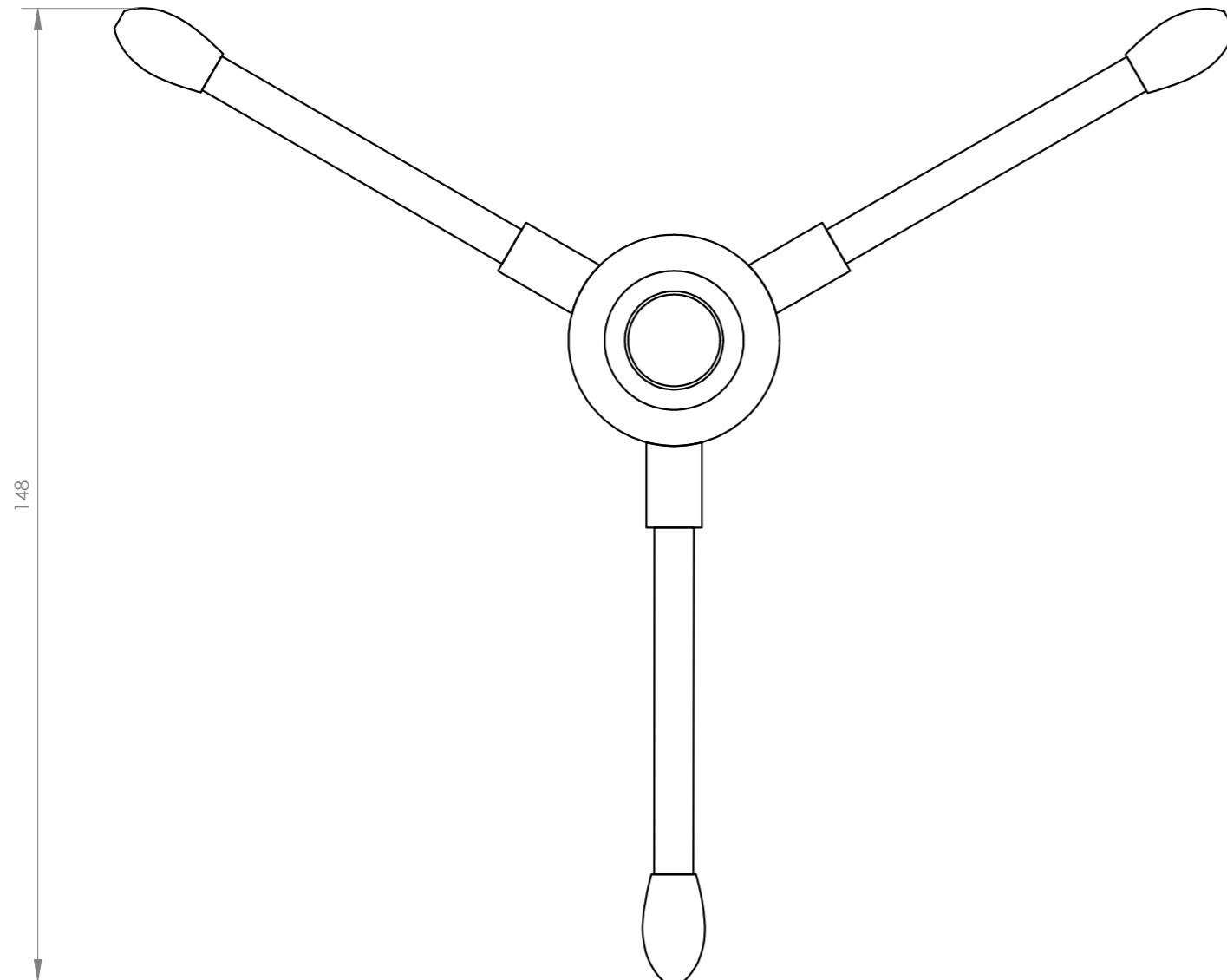
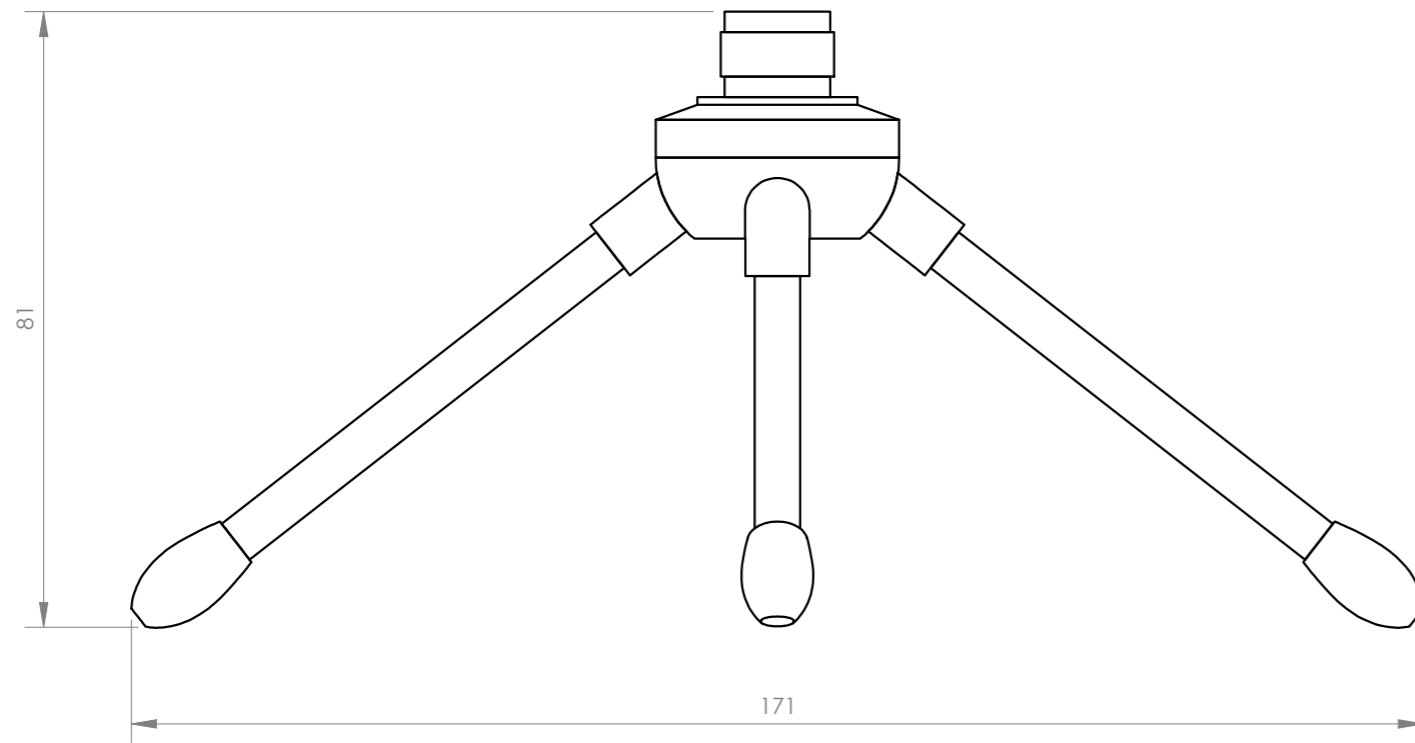
Bases for desktop microphone
Microphone base for microphone stands with standard 5/8" thread. Three folding legs for easy pick-up and transport. Simple and useful desktop base for any occasion.

TECHNICAL CHARACTERISTICS

FEATURES	Desktop base with 3 folding legs. Standard 5/8" male thread.
DIMENSIONS	16 x 15 x 9 cm depth
COLOUR	Black
WEIGHT	0.1 kg



+ Info:
<https://fonestar.com/MS-201N>



FONESTAR	Model	Description	Units	Scale
	MS-201N	BASE FOR DESKTOP MICROPHONE	mm	1:1