

MICROPHONES / WIRELESS MICROPHONES / UHF

# SONAIR-PRO-1P

UHF ID PILOT AND DIVERSITY BELT-PACK WIRELESS MICROPHONE



- ✓ Transmission without interference
- ✓ Reception with dual antenna
- ✓ Great vocal sound
- ✓ Long reach
- ✓ Long battery life



+ Info:  
<https://fonestar.com/SONAIR-PRO-1P>

ESPECIALLY RECOMMENDED IN:



Sports facilities



Education



Hotels



All sectors

## DESCRIPTION

UHF belt-pack wireless microphone, with ID Pilot and Diversity receiver. Wireless microphone with superior sound, stable operation and excellent interference behaviour. The microphone integrates the ID Pilot function which pairs the receiver and transmitter with a unique 16-bit code, preventing other microphones from interfering even on the same frequency. In addition, the diversity reception with two antennas ensures the best RF reception. The display on the microphone and on the receiver easily informs about frequency and battery status. Facilitating the control of microphones. The transmitter uses an integrated audio and transmission management solution on a single chip, with frequency selection and efficient power management to maximise battery life. FM modulation technology with high sound quality. The receiver and microphone channels are quickly synchronised with the IR synchronisation function. UHF frequency range with selectable transmission channels. Receiver with colour display and low noise balanced and unbalanced output for easy connection. Consisting of a belt-pack receiver and transmitter with a clip-on microphone with high live sound pick-up. Suitable for events with portable microphones, such as presentations, lectures, singers, events, performances, etc.



+ Info:

<https://fonestar.com/SONAIR-PRO-1P>

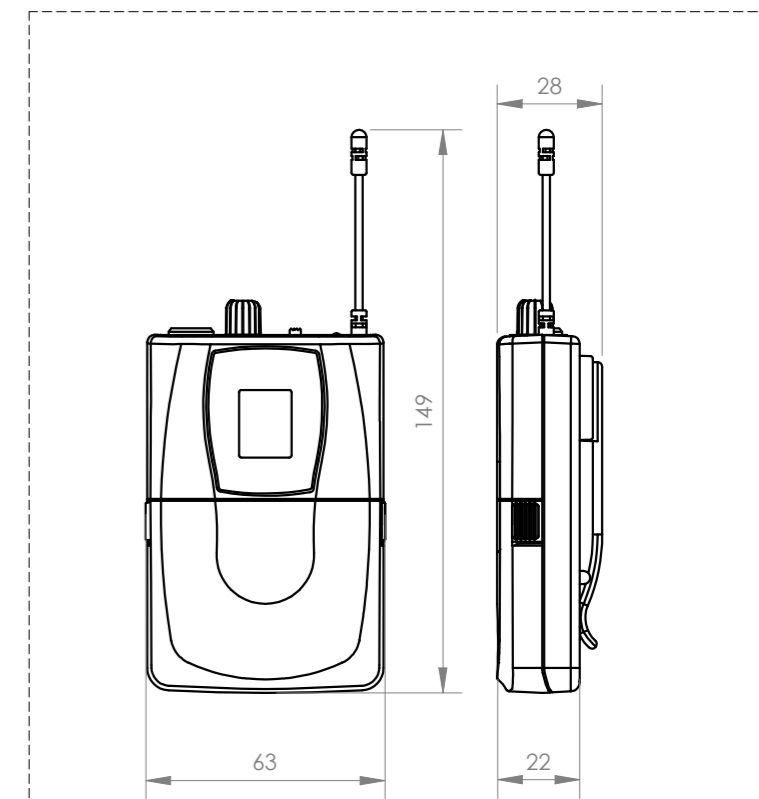
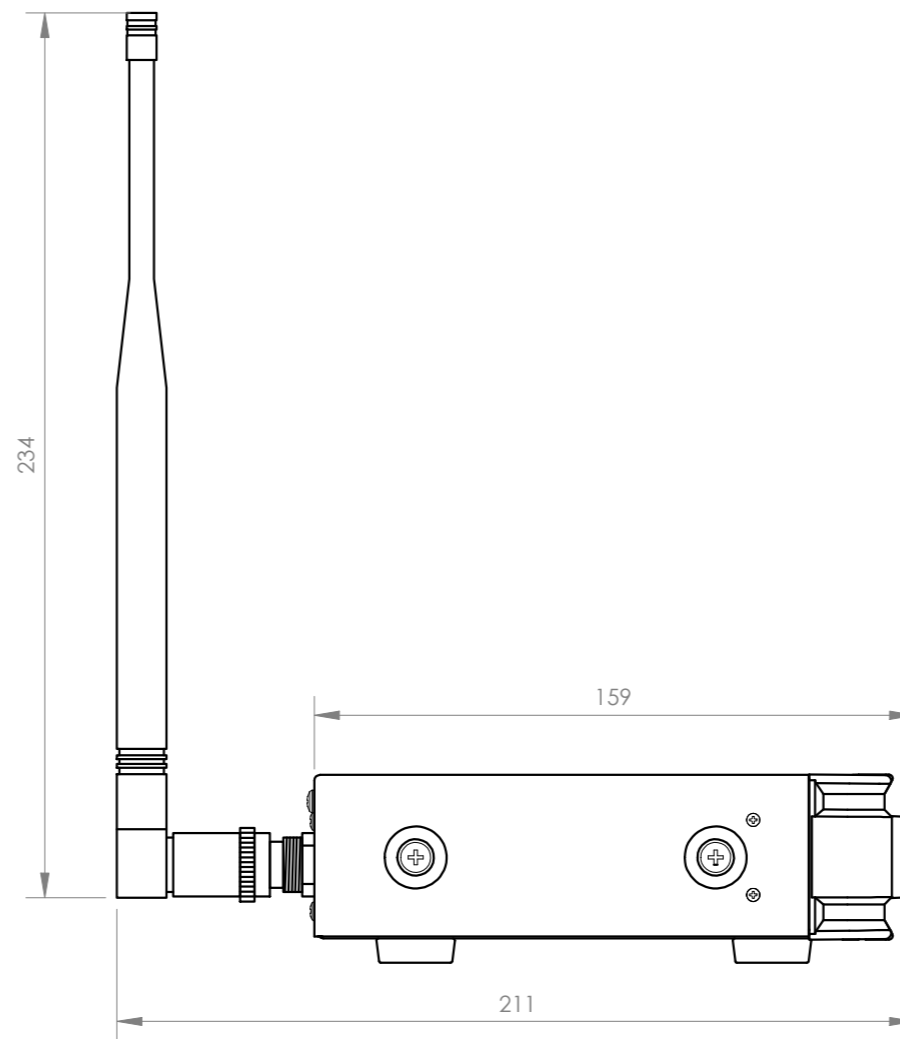
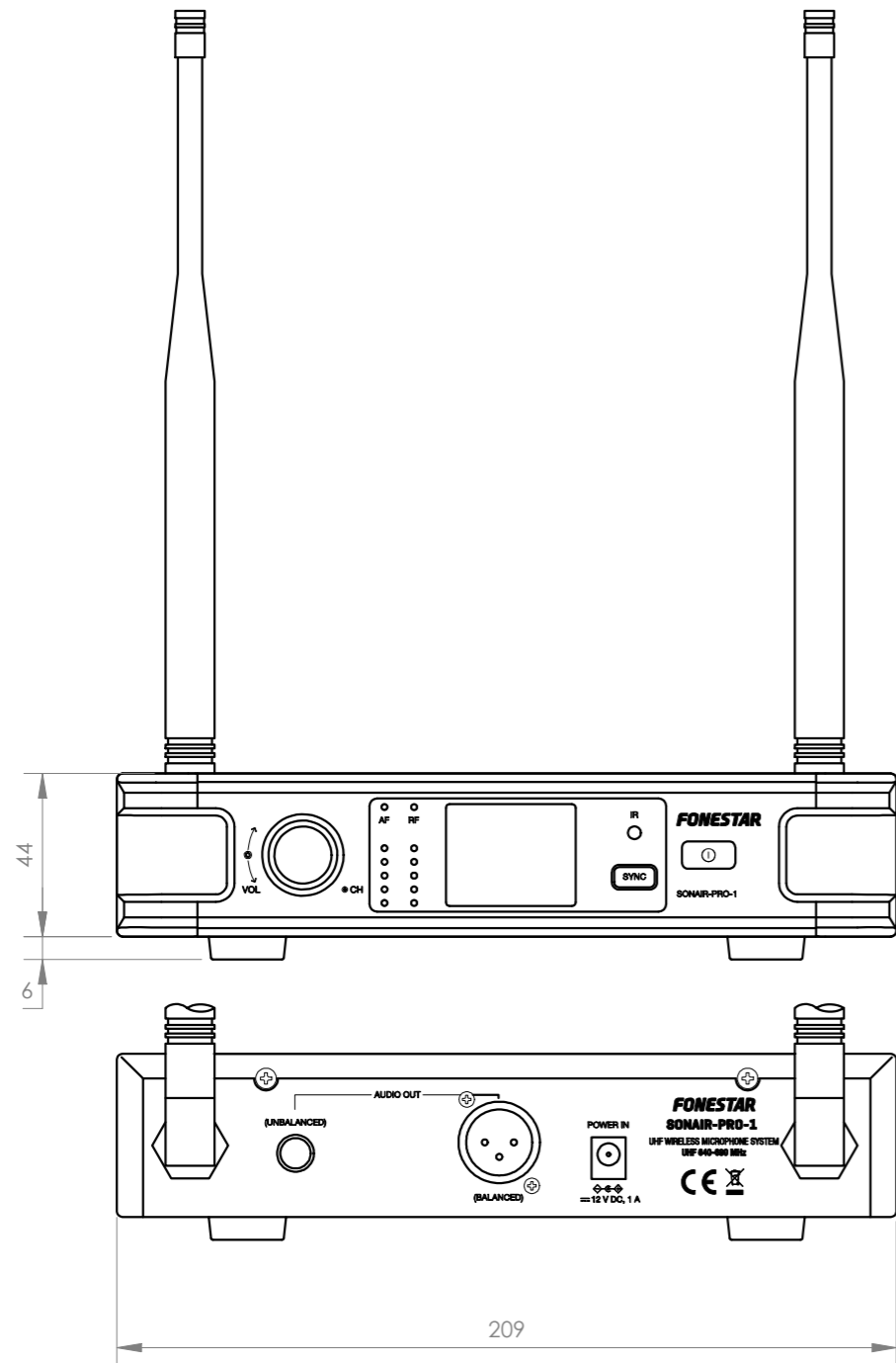
## TECHNICAL CHARACTERISTICS

FEATURES	<p>Wireless belt-pack microphone with clip-on microphone.</p> <p>Receiver with colour display of information; transmission channel, battery level in microphone, etc. Radio frequency signal and audio signal indicator.</p> <p>ID Pilot function 16 bit pairing code to avoid interference.</p> <p>Diversity reception with antennas.</p> <p>Transmission of the receiver channel to the microphone with SYNC IR.</p> <p>Selectable channels.</p> <p>Transmission distance greater than 50 m.</p> <p>Great vocal quality.</p> <p>Maximum 7 - 8 microphones operating at the same time on different channels.</p>
FREQUENCIES	<p>Range 640-690 MHz</p> <p>500 channels</p>
POWER	30 mW
RESPONSE	30-20,000 Hz (+/- 2 dB)
S/N RATIO	> 96 dB
INPUTS	2 antennas, TNC female, 50 Ohm. With 9 V DC output for power supply of antenna amplifiers
OUTPUTS	<p>Audio:</p> <p>1 balanced, XLR, 0 ~ 250 mV, 600 Ohm</p> <p>1 unbalanced, 6.3 mm jack, 0 ~ 250 mV, 1 KOhm</p>
RECEIVER	<p>Receiving sensitivity: -95 dBm</p> <p>Distortion: &lt; 0.3%</p> <p>Latency: &lt; 3 ms</p>
MICROPHONES	<p>1 belt-pack wireless microphone with clip-on microphone</p> <p>3-pin XLR mini input connector</p> <p>Harmonic radiation: &lt; -50 dBc</p> <p>Battery life (alkaline): Up to 10 hours</p>
POWER SUPPLY	<p>Receiver: 12 V DC, 1 A with adapter included</p> <p>Transmitter microphone: 2 x AA batteries. Supports rechargeable batteries.</p>
DIMENSIONS	Receiver: 210 x 50 x 205 mm depth
WEIGHT	0.9 kg
ACCESSORIES	<p>2 antennas TNC</p> <p>6.3 mm mono jack cable, 1m</p> <p>Power adapter</p> <p>Microphone batteries</p>
OPTIONAL	SONAIR-PRO-1RACK: mount for assembly in 19" rack
COMPATIBILITY	<p>FCM-850-MC3: Tie-clip microphone</p> <p>FCM-970-MC3: Head-worn microphone</p> <p>FCM-660-MC3: Head-worn microphone</p>



+ Info:

<https://fonestar.com/SONAIR-PRO-1P>



<b>FONESTAR</b>	Model	Description	Units	Scale
	SONAIR-PRO-1P	UHF ID PILOT AND DIVERSITY BELT-PACK WIRELESS MICROPHONE	mm	1:2