



# Get started

1. Connect B2 transmitter to AC outlet 100–240 V
2. Connect audio cable 3,5 mm Aux to any analogue source and make sure it supplies a good signal to B2.  
If you use Dante make sure you see a signal on the Dante controller software.
3. Connect S2 speaker to AC 100-240 V and wait for it to power up (white flashing and red solid for stand by).
4. Press "PAIR" button on the B2 transmitter for five seconds to set it in to pairing mode.  
The blue LED starts flashing.
5. Press the "PAIR" button on the on the S2 speaker for five seconds to set it in to pairing mode.  
The blue LED starts flashing.
6. When the LED has a solid green state the speaker is paired and you can do the next speaker in the same fashion.
7. You can do the same pairing with the Rx2 receiver.
8. Please allow the units to be paired to be properly powered up, and only pair one unit at a time.
9. Music will not be playing until pairing mode is finished on the B2.
10. You get 10 minutes to pair each device, so once speaker 1 has been paired, the time cycle resets and you get another 10 minutes for the next speaker.  
If you want to end the time cycle press once on the pairing button on B2.
11. Once paired and music is supplied to B2 it will indicate signal by the LED turning green, and on all paired speakers or receivers there will be a green LED.
12. The system will not let any other system in to the paired family once pairing mode has been closed.
13. There can be more than 400 systems operating in the same space.
14. If you connect to a S2 speaker via signal cable in to the 3,5 mm Aux, the speaker will automatically switch to wired mode
15. The volume control nob on the S2 speaker is only active in wired mode.

Information videos may help you on our website <https://www.loudofsweden.com/support/videos/>

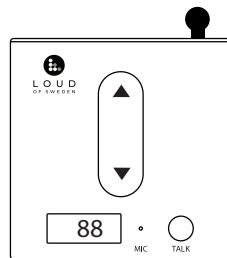


# LED indicator

	B2	S2	RX2
Powering up	White flashing	White flashing	White flashing
Standby	Red solid	Red solid	Red solid
Pairing	Blue flashing	Blue flashing	Blue flashing
Pairing completed	Blue solid	Blue solid	Blue solid
Paired no audio signal	Purple solid	Purple solid	Purple solid
Paired with audio signal	Green solid	Green solid	Green solid
factory Reset	Yellow light flashing	Yellow light flashing	Yellow light flashing
Audio source	MIC:red light Line in:green light Dante :white light		

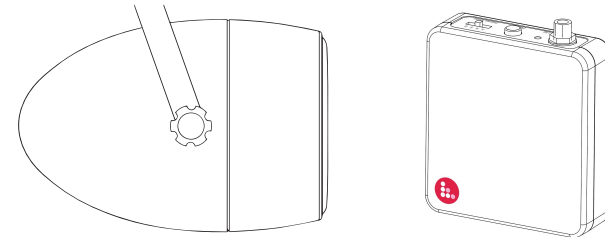
# Factory reset

## Base unit B2 & B2D



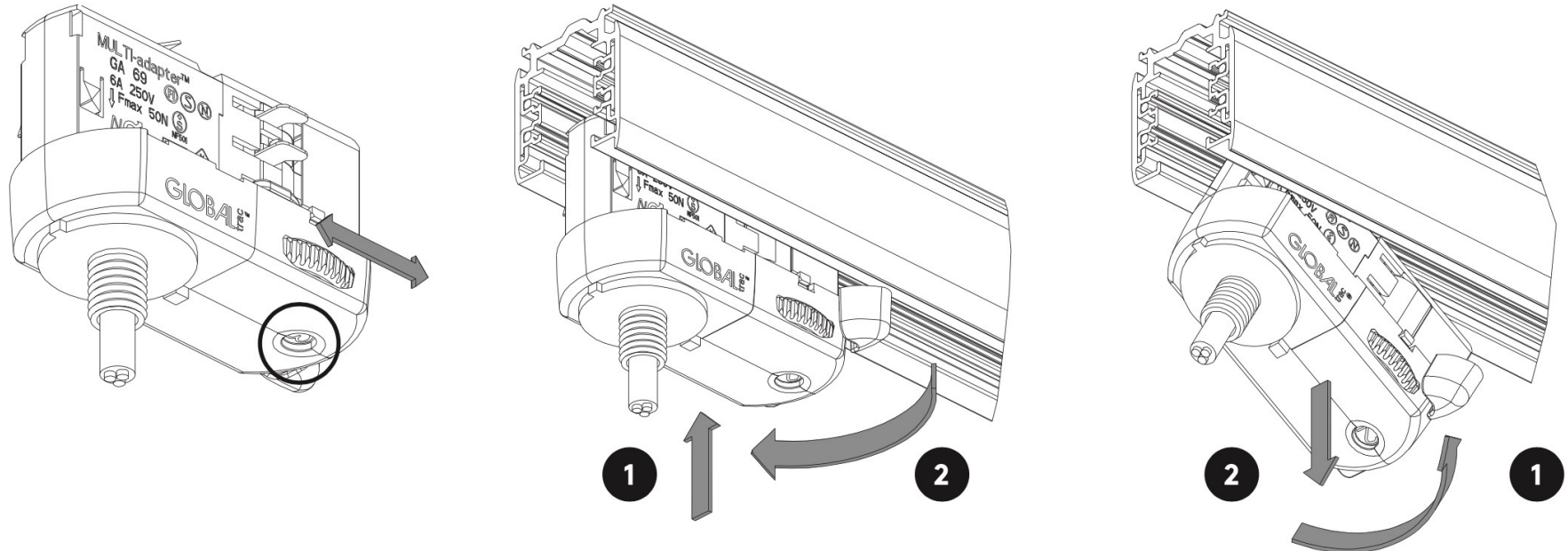
1. Press and hold pair and volume down for ten seconds
2. Yellow flashing LCD
3. Solid red meaning factory reset finished after reboot

## Satellite speaker S2 & Receiver Rx2



1. Press and hold pair for ten seconds
2. Yellow flashing LCD
3. Solid red meaning factory reset finished after reboot

# Power track adapter



1. Select power phase (this is depending on the electric instalment)
2. Lock in to place (make sure it's in the correct position for warranty to apply)
3. Unlock to remove
4. This is the default installation for the S2 speaker. It can be done on any hight or angle.
5. If power tracks are not available please use our mount CWM1



# Safety

1. Read all instructions
2. Follow all instructions
3. If unsure of power connections ask the electrician before installing
4. Do not use outdoors or near water
5. Operating temperature (°C) 5–40, Humidity (%) no condensation 30–90
6. Do not block any ventilating openings
7. Minimum ventilation distance 10 cm
8. Do not install near heat source or items radiating heat
9. Do not instal inside metal casing
10. Protect power cords from wear and tare
11. Only use the products as intended by the manufacturer
12. If not in use for a long period of time, please unplug.
13. All service must be performed by qualified personnel
14. The power cord for this product is intended for indoor use only.