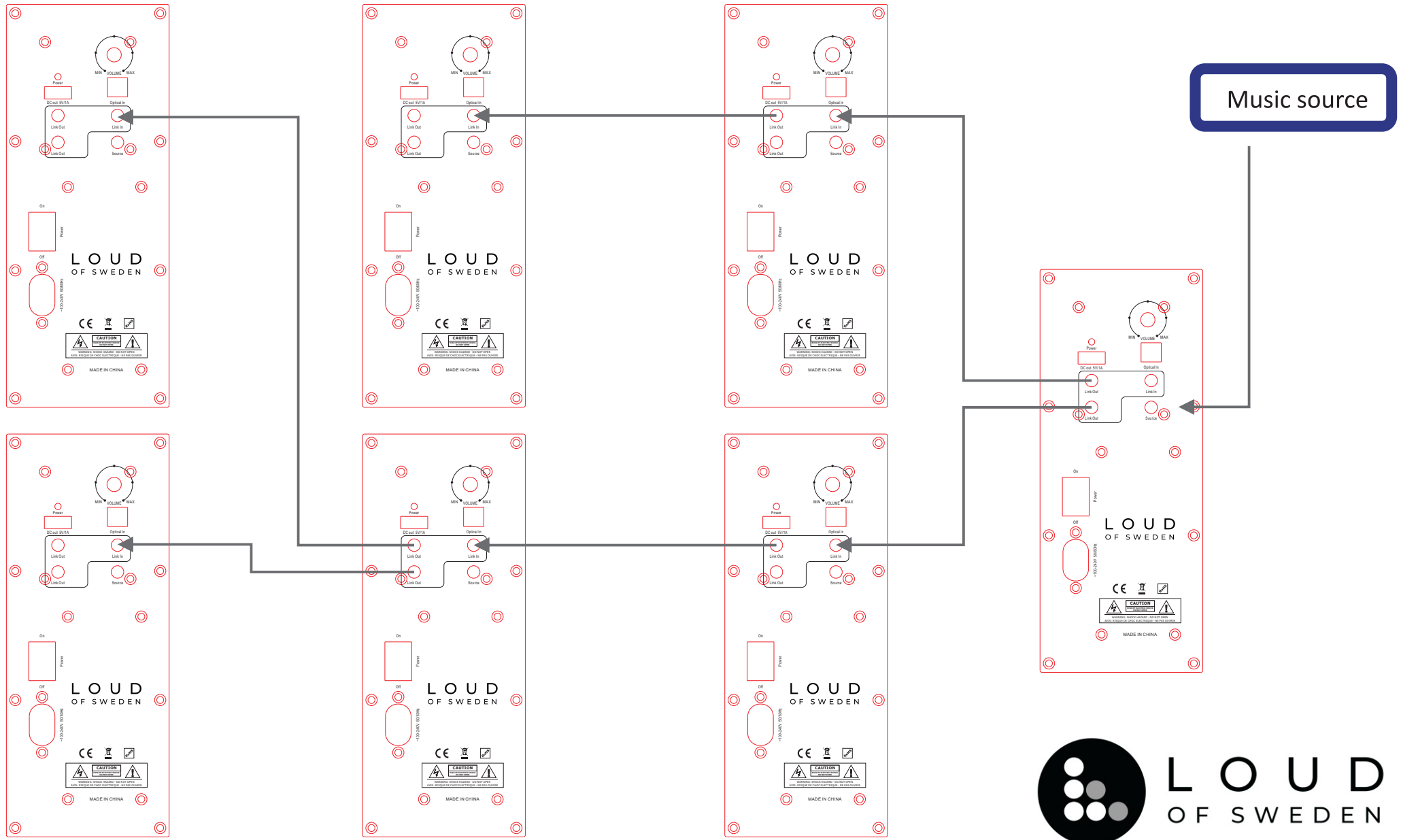


# System Speaker 2 connection example



## Specifications

Type: Active speaker with bass reflex

Amplifier: Digital Class D amplifier with Dynamic Bass

Power: 2 x 30W

Tweeter: 2 x 0,75" textile dome tweeter

Mid/Woofer: 4 x 2"

Frequency range: 50 – 20000Hz

Crossover frequency: 5.500Hz

Dimensions HxWxD: 305.4x243x163

Power input: AC 100-240V 50/60Hz

Inputs: 3,5mm analog input

Link in / out: balanced connections using 3,5mm stereo cable, For linking SS1 and SS2 speakers

Power consumption STB / ON: <0.5W / 4.2W

