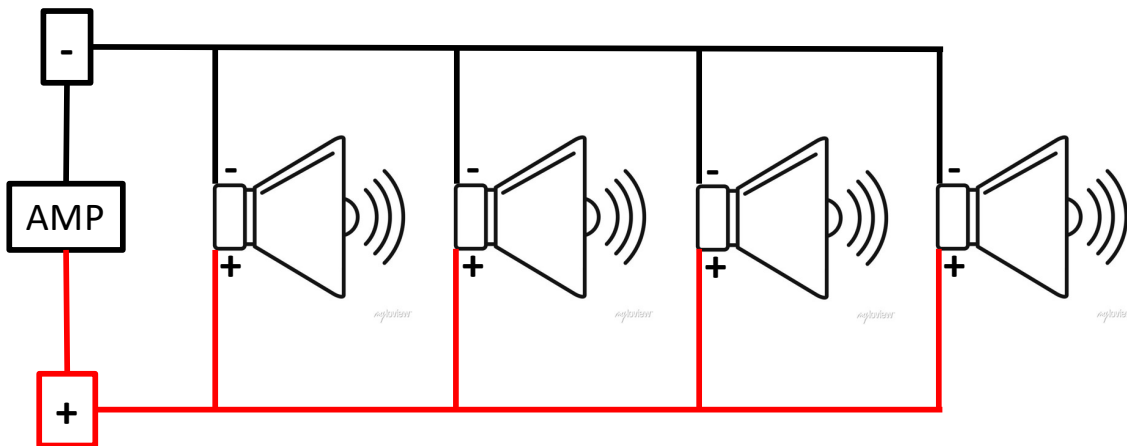


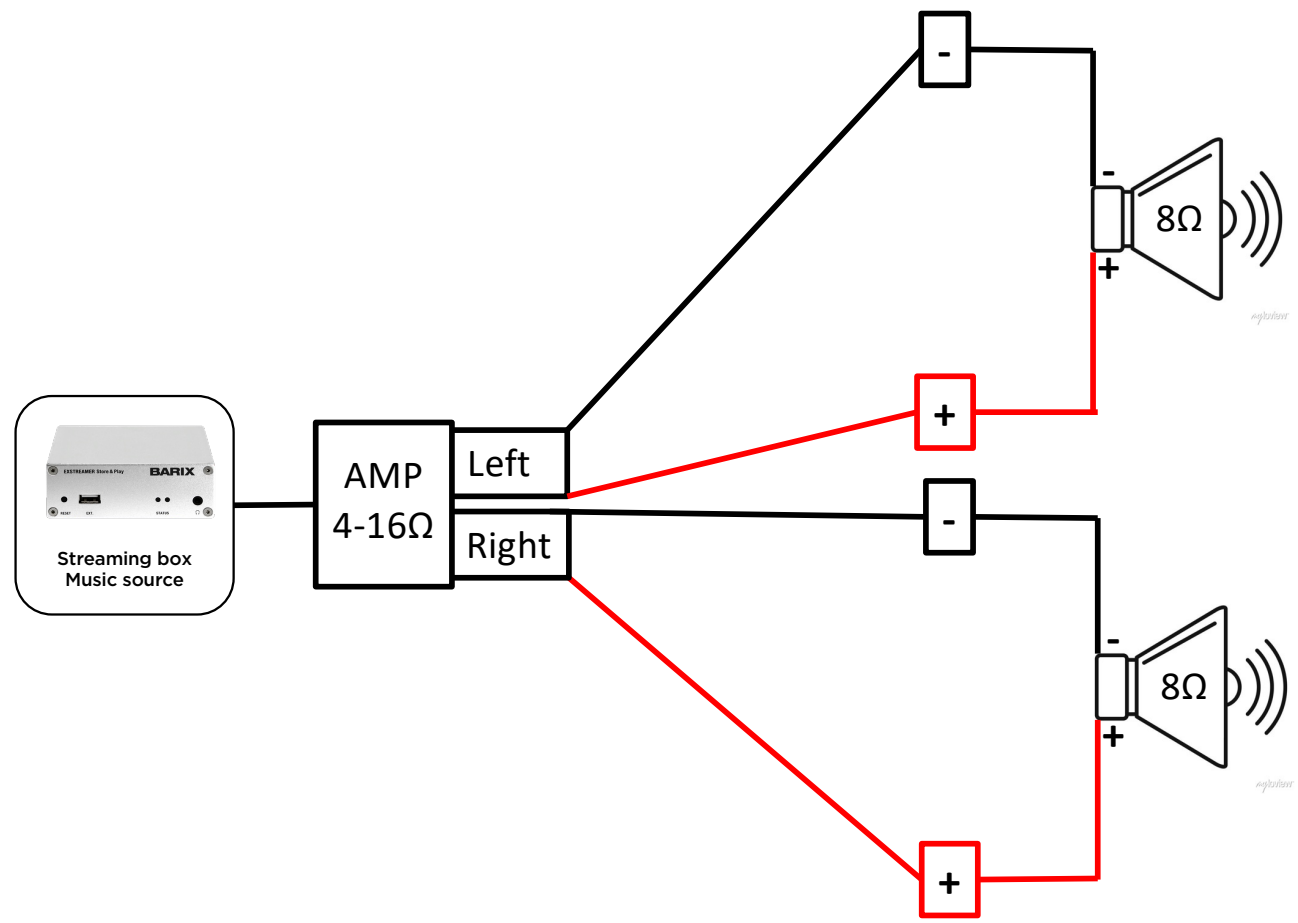
# 100V Connection



Example:  
Amplifier power is 120W  
Maximum load is a total of 120W in speaker power.  
This means up to: 4 pcs 30W speakers, or 12 pcs 10W speakers or 20 pcs 5W speakers



# 8 Ohm Connection 2x parallel



# 4 Ohm Connection 4 x parallel



LOUD  
OF SWEDEN

